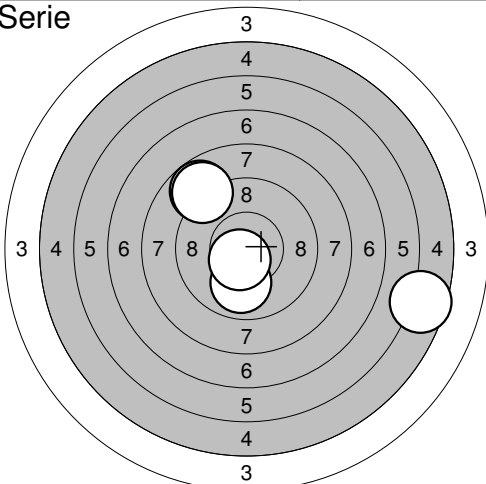
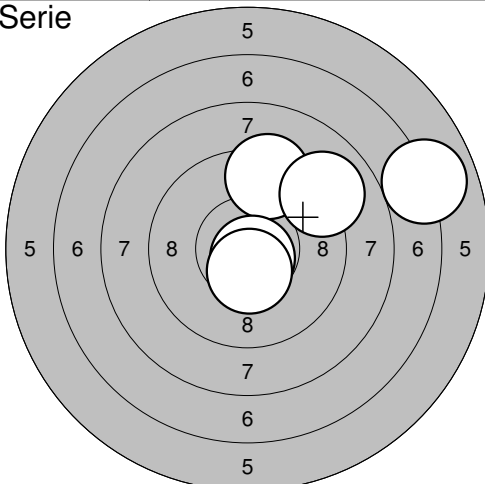
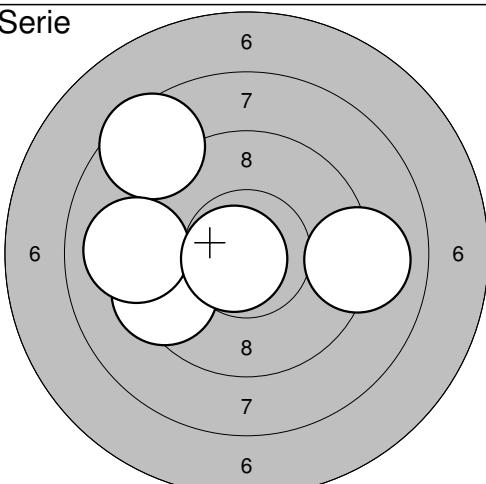
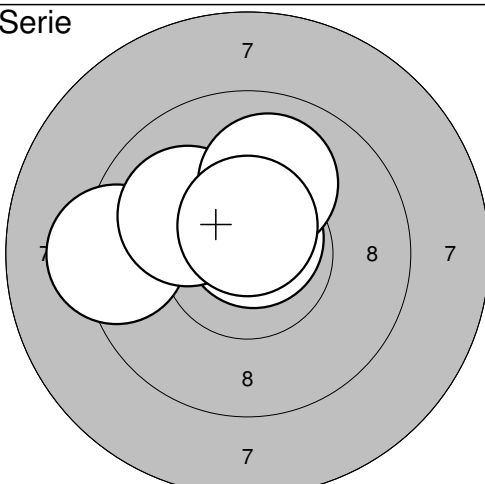
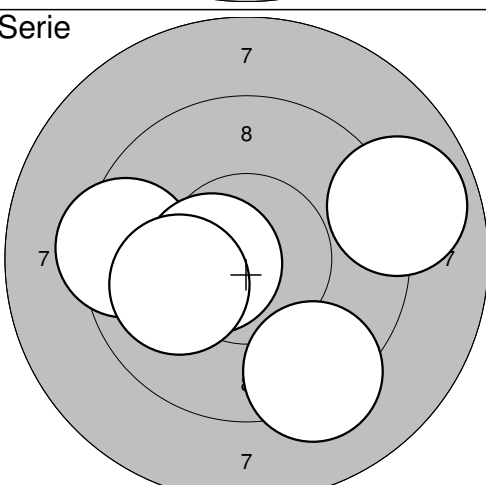
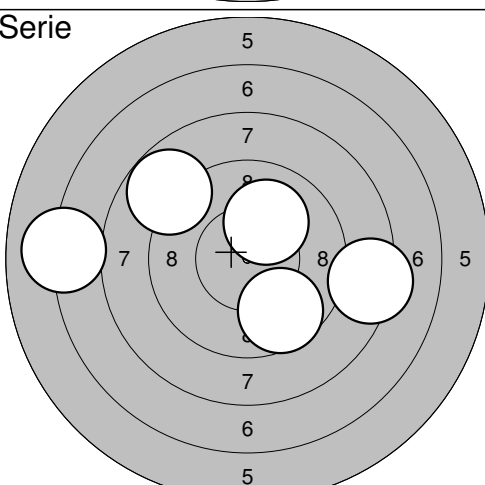
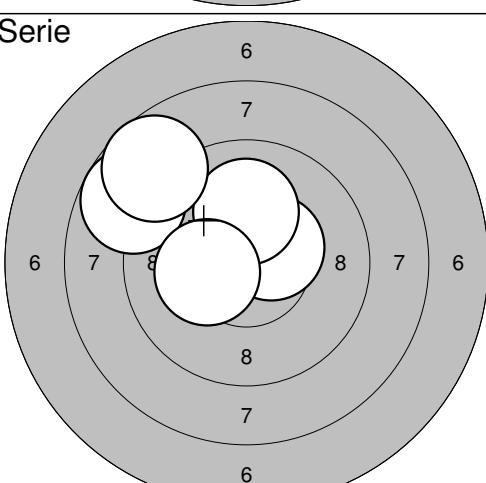
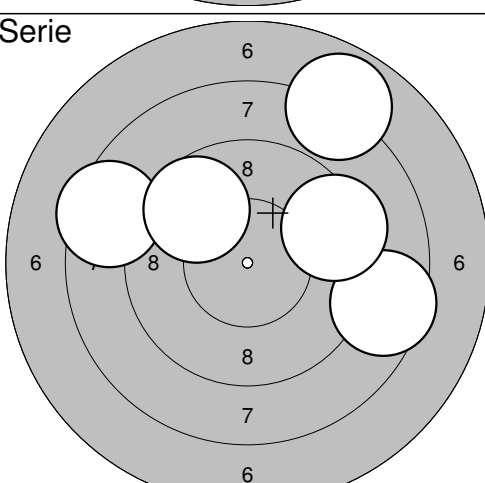
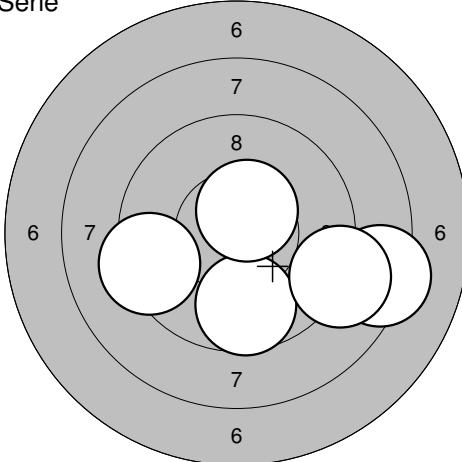
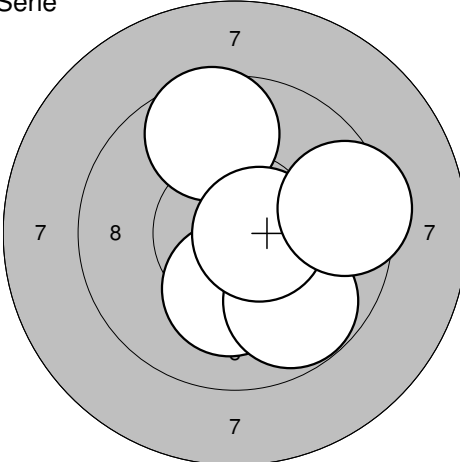
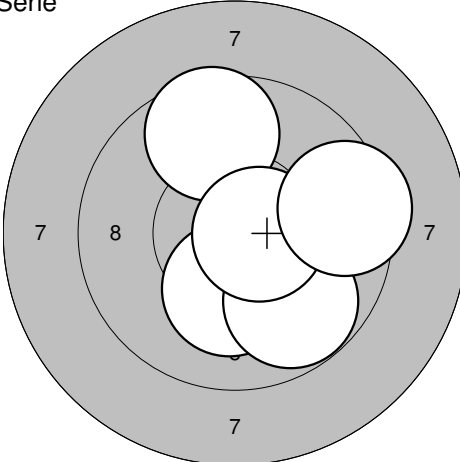
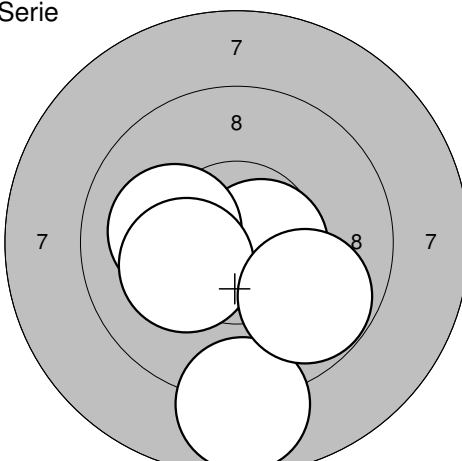
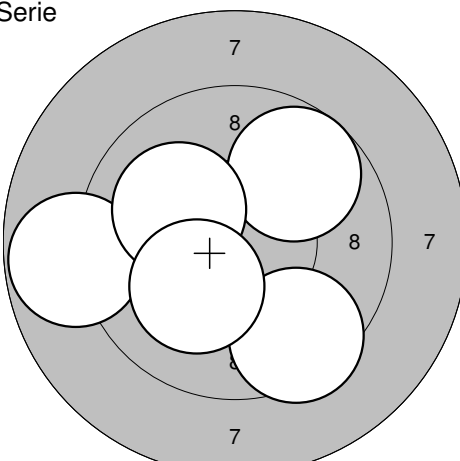
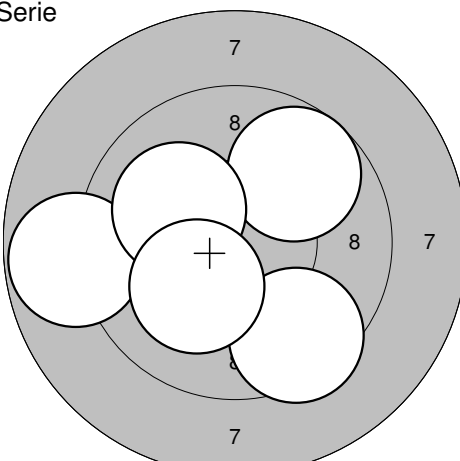
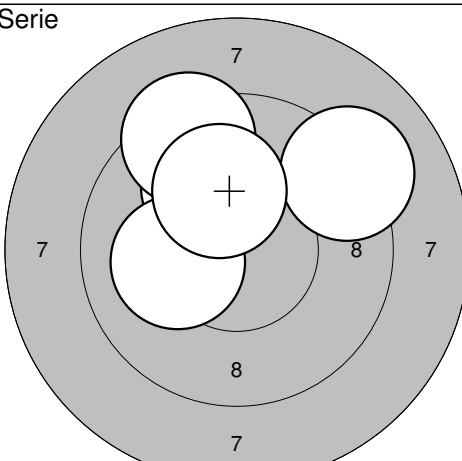
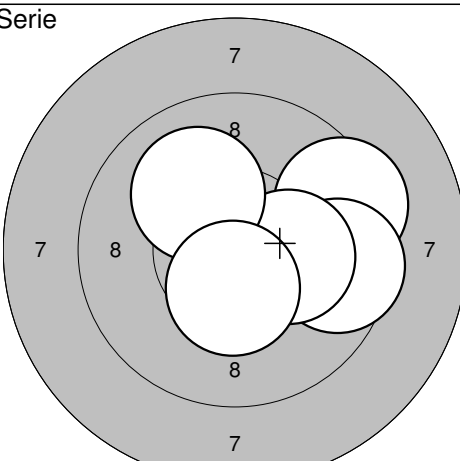
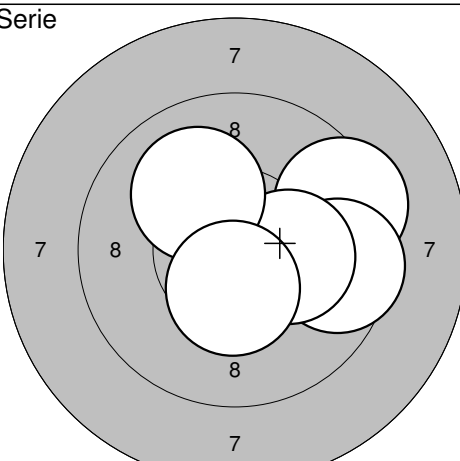


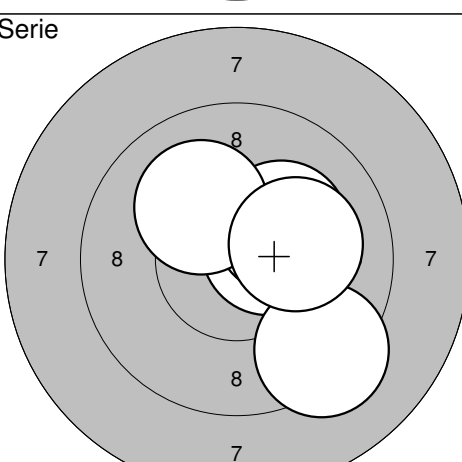
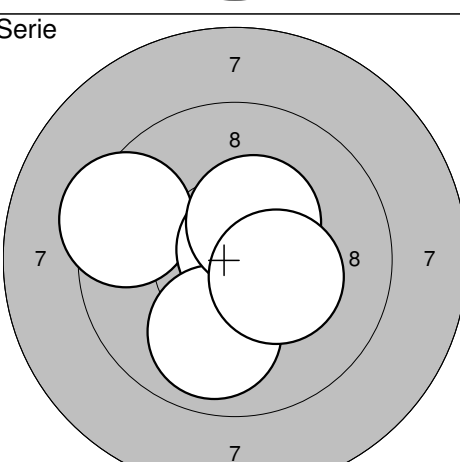
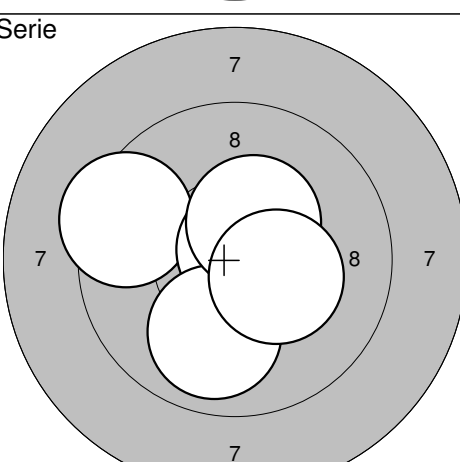
31.10.2009	Nationella SM	swedishcup 09
------------	---------------	---------------

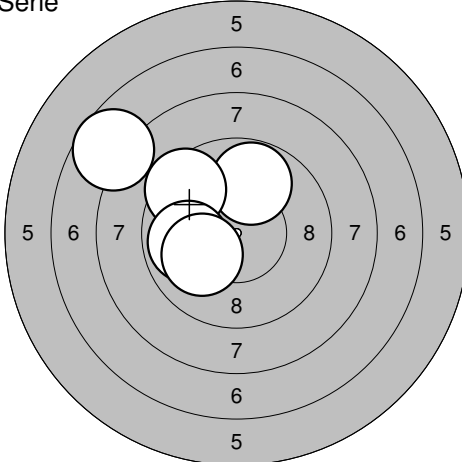
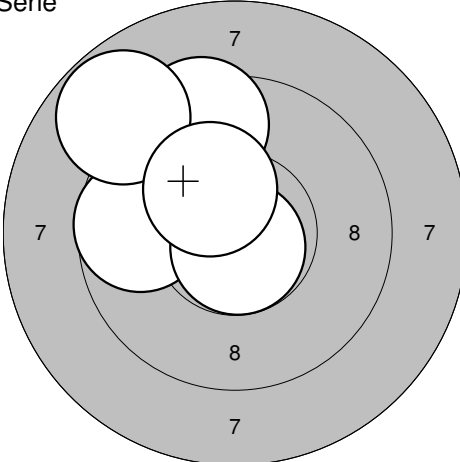
<p>Serie</p>  <p style="text-align: center;">3 4 5 6 7 8 8 7 6 5 4 3</p> <p style="text-align: center;">3 4 5 6 7 8 8 7 6 5 4 3</p> <p style="text-align: center;">7 6 5 4 3</p>	<p>1: 5,6 →</p> <p>2: 8,8 ↗</p> <p>3: 9,9 ↓</p> <p>4: 8,9 ↗</p> <p>5:10,6* ↓</p> <hr/> <p>Serie: 40,0</p> <p>Summa: 40,0</p>	<p>Serie</p>  <p style="text-align: center;">5 6 7 8 8 7 6 5</p> <p style="text-align: center;">5 6 7 8 8 7 6 5</p> <p style="text-align: center;">8 7 6 5</p>	<p>6: 7,0 →</p> <p>7: 9,4 ↑</p> <p>8:10,7* ↓</p> <p>9: 9,0 ↗</p> <p>10:10,5* ↓</p> <hr/> <p>Serie: 45,0</p> <p>Summa: 85,0</p>
<p>Serie</p>  <p style="text-align: center;">6 7 8 8 7 6</p> <p style="text-align: center;">6 6</p> <p style="text-align: center;">8 7 6</p>	<p>11: 9,1 →</p> <p>12: 9,4 ←</p> <p>13: 8,5 ↗</p> <p>14: 9,1 ←</p> <p>15:10,7* ←</p> <hr/> <p>Serie: 45,0</p> <p>Summa: 130,0</p>	<p>Serie</p>  <p style="text-align: center;">7 8 8 7</p> <p style="text-align: center;">7 8 7</p> <p style="text-align: center;">8 7</p>	<p>16: 9,3 ←</p> <p>17:10,7* ↑</p> <p>18:10,1 ↖</p> <p>19:10,0 ↑</p> <p>20:10,6* ↑</p> <hr/> <p>Serie: 49,0</p> <p>Summa: 179,0</p>
<p>Serie</p>  <p style="text-align: center;">7 8 7</p> <p style="text-align: center;">7 7</p> <p style="text-align: center;">8 7</p>	<p>21: 9,3 ↓</p> <p>22: 8,9 →</p> <p>23: 9,4 ←</p> <p>24:10,5* ←</p> <p>25:10,0 ←</p> <hr/> <p>Serie: 46,0</p> <p>Summa: 225,0</p>	<p>Serie</p>  <p style="text-align: center;">5 6 7 8 8 7 6 5</p> <p style="text-align: center;">7 8 8 6 5</p> <p style="text-align: center;">8 7 6 5</p>	<p>26: 8,3 →</p> <p>27:10,1 ↑</p> <p>28: 7,1 ←</p> <p>29: 9,7 ↓</p> <p>30: 8,8 ↗</p> <hr/> <p>Serie: 42,0</p> <p>Summa: 267,0</p>
<p>Serie</p>  <p style="text-align: center;">6 7 8 8 7 6</p> <p style="text-align: center;">6 7 8 8 7 6</p> <p style="text-align: center;">8 7 6</p>	<p>31:10,5* ↗</p> <p>32:10,1 ↑</p> <p>33: 8,8 ↗</p> <p>34: 8,7 ↗</p> <p>35:10,3* ←</p> <hr/> <p>Serie: 46,0</p> <p>Summa: 313,0</p>	<p>Serie</p>  <p style="text-align: center;">6 7 8 8 7 6</p> <p style="text-align: center;">6 8 8 6</p> <p style="text-align: center;">8 7 6</p>	<p>36: 7,9 ↑</p> <p>37: 8,5 ←</p> <p>38: 8,5 →</p> <p>39: 9,4 →</p> <p>40: 9,7 ↗</p> <hr/> <p>Serie: 41,0</p> <p>Summa: 354,0</p>

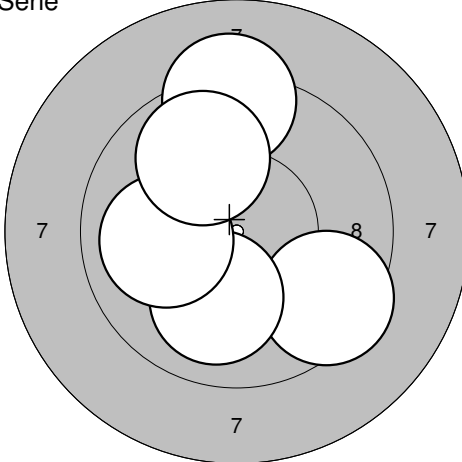
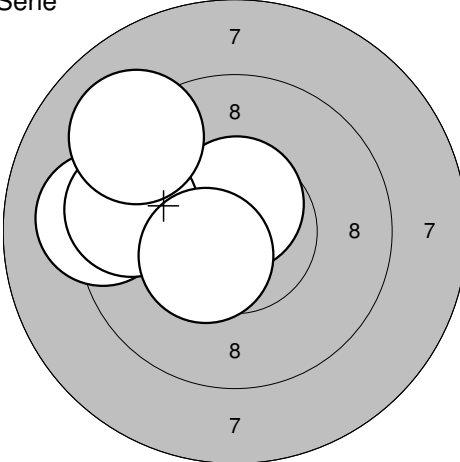
Serie	Serie	Serie
		
1: 9,3 ← 2: 8,3 → 3: 9,7 ↓ 4: 10,5* ↗ 5: 9,0 →	6: 9,6 ↑ 7: 10,2* ↓ 8: 9,8 ↘ 9: 10,6* → 10: 9,4 →	6: 9,6 ↑ 7: 10,2* ↓ 8: 9,8 ↘ 9: 10,6* → 10: 9,4 →
Serie: 45,0	Serie: 47,0	Serie: 47,0
Summa: 45,0	Summa: 92,0	Summa: 92,0

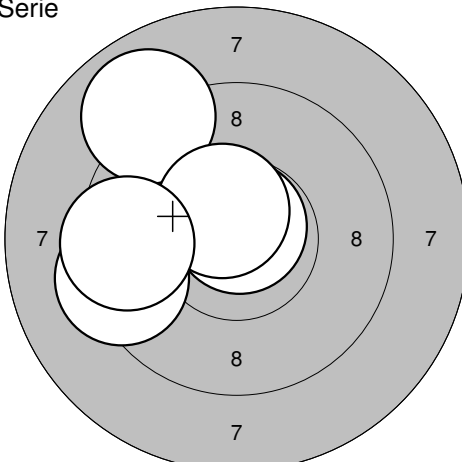
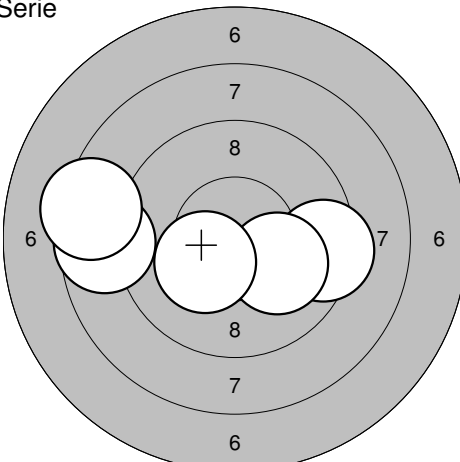
Serie	Serie	Serie
		
11: 10,6* → 12: 8,8 ↓ 13: 10,1 ← 14: 10,2* ← 15: 9,8 ↘	16: 8,8 ← 17: 9,7 ↗ 18: 10,1 ↖ 19: 9,5 ↘ 20: 10,2* ↘	16: 8,8 ← 17: 9,7 ↗ 18: 10,1 ↖ 19: 9,5 ↘ 20: 10,2* ↘
Serie: 47,0	Serie: 46,0	Serie: 46,0
Summa: 139,0	Summa: 185,0	Summa: 185,0

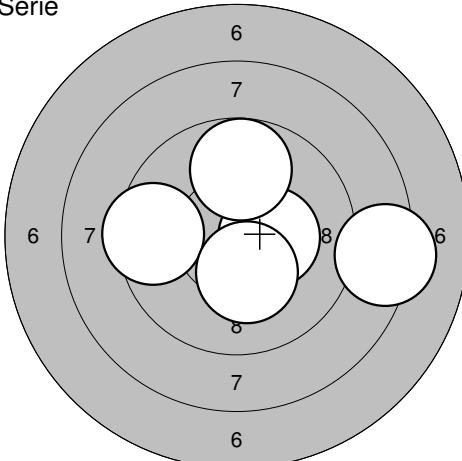
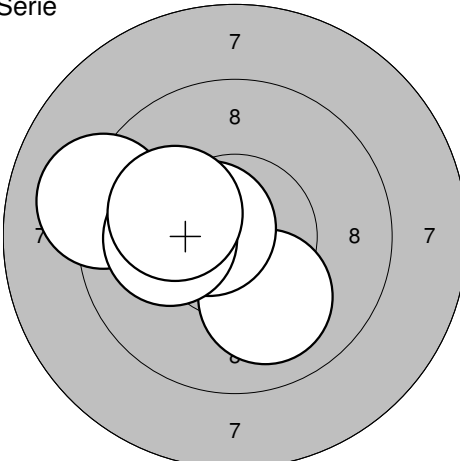
Serie	Serie	Serie
		
21: 9,2 ↗ 22: 10,0 ↗ 23: 9,3 ↗ 24: 10,1 ← 25: 10,1 ↑	26: 9,4 → 27: 9,6 → 28: 10,2* → 29: 10,1 ↗ 30: 10,4* ↓	26: 9,4 → 27: 9,6 → 28: 10,2* → 29: 10,1 ↗ 30: 10,4* ↓
Serie: 48,0	Serie: 48,0	Serie: 48,0
Summa: 233,0	Summa: 281,0	Summa: 281,0

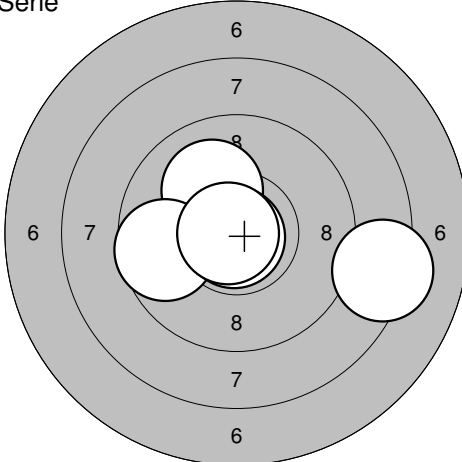
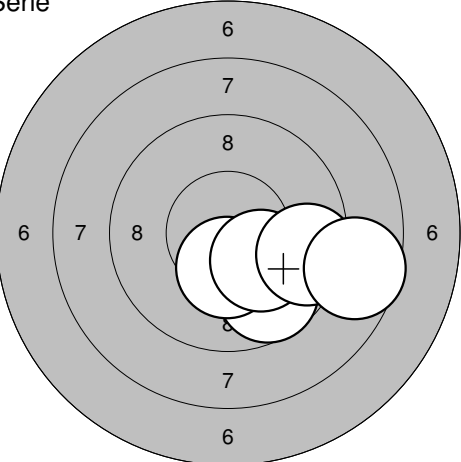
Serie	Serie	Serie
		
31: 10,5* → 32: 10,2* ↗ 33: 9,3 ↘ 34: 10,1 ↗ 35: 10,1 →	36: 9,4 ← 37: 10,8* ↗ 38: 9,9 ↓ 39: 10,4* ↗ 40: 10,3* →	36: 9,4 ← 37: 10,8* ↗ 38: 9,9 ↓ 39: 10,4* ↗ 40: 10,3* →
Serie: 49,0	Serie: 48,0	Serie: 48,0
Summa: 330,0	Summa: 378,0	Summa: 378,0

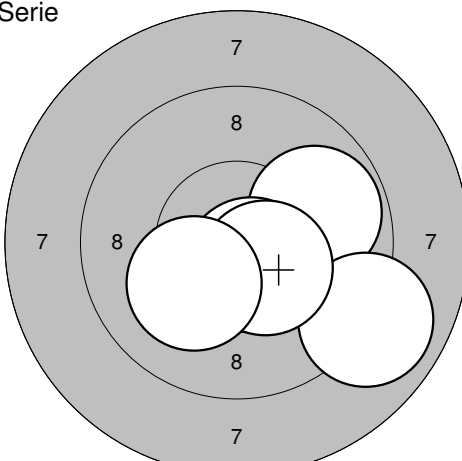
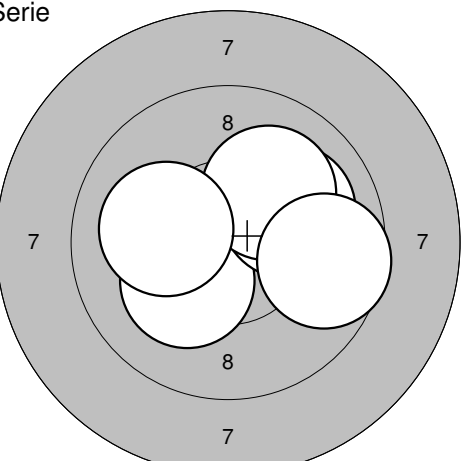
<p>Serie</p>  <p style="text-align: center;">5 6 7 8 7 6 5</p>	<p>1: 9,8 ↗ 2: 7,7 ↖ 3: 9,5 ↗ 4: 9,9 ← 5: 10,1 ↖</p> <p>Serie: 44,0 Summa: 44,0</p>	<p>Serie</p>  <p style="text-align: center;">7 8 7</p>	<p>6: 9,7 ← 7: 9,4 ↗ 8: 10,8* ↓ 9: 8,8 ↗ 10: 10,3* ↗</p> <p>Serie: 46,0 Summa: 90,0</p>
--	---	--	---

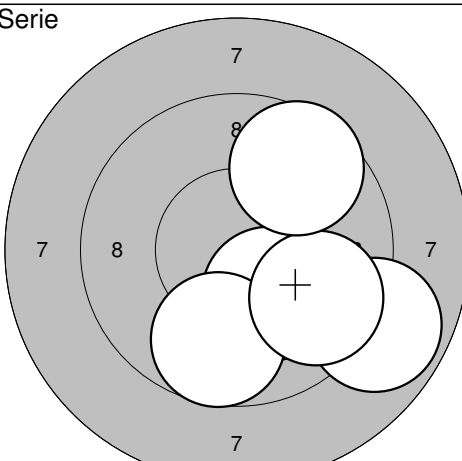
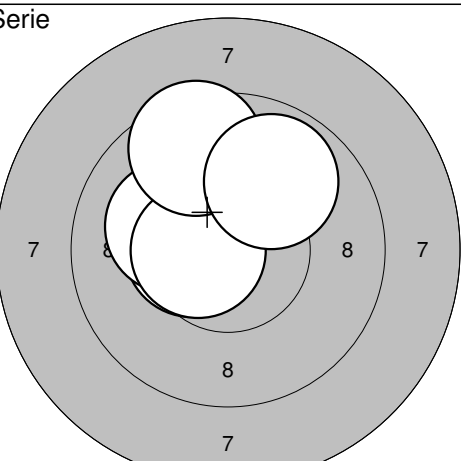
<p>Serie</p>  <p style="text-align: center;">7 8 7</p>	<p>11: 9,5 ↘ 12: 9,2 ↑ 13: 10,0 ↓ 14: 10,0 ← 15: 9,9 ↗</p> <p>Serie: 47,0 Summa: 137,0</p>	<p>Serie</p>  <p style="text-align: center;">7 8 8 7</p>	<p>16: 9,2 ← 17: 10,6* ↑ 18: 9,5 ← 19: 10,4* ↖ 20: 9,1 ↗</p> <p>Serie: 47,0 Summa: 184,0</p>
---	--	---	--

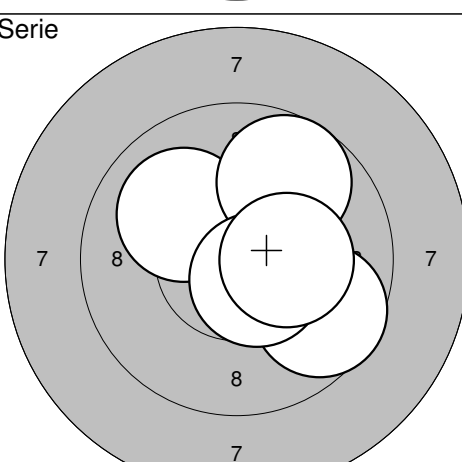
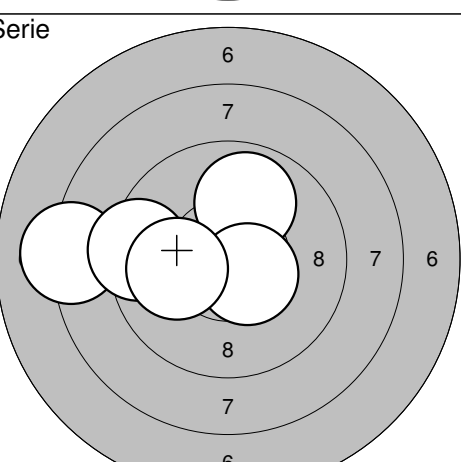
<p>Serie</p>  <p style="text-align: center;">7 8 8 7</p>	<p>21: 10,8* ↑ 22: 8,9 ↗ 23: 10,5* ↗ 24: 9,3 ← 25: 9,5 ←</p> <p>Serie: 46,0 Summa: 230,0</p>	<p>Serie</p>  <p style="text-align: center;">6 7 8 7 6</p>	<p>26: 9,4 → 27: 10,1 ↘ 28: 10,3* ↖ 29: 8,7 ← 30: 8,4 ←</p> <p>Serie: 45,0 Summa: 275,0</p>
--	--	--	---

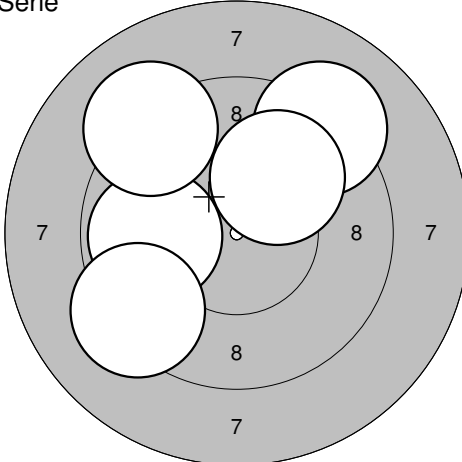
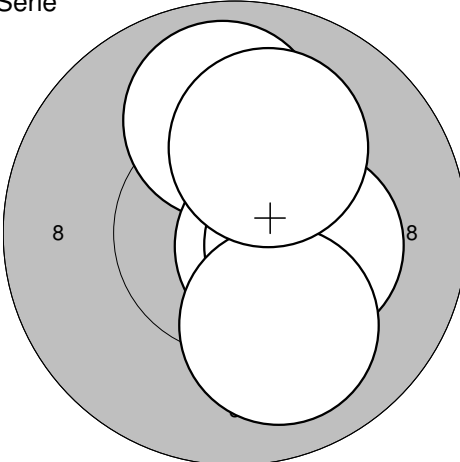
<p>Serie</p>  <p style="text-align: center;">6 7 8 7 6</p>	<p>31: 9,5 ← 32: 10,4* → 33: 8,3 → 34: 10,3* ↓ 35: 9,8 ↑</p> <p>Serie: 46,0 Summa: 321,0</p>	<p>Serie</p>  <p style="text-align: center;">7 8 8 7</p>	<p>36: 10,0 ↓ 37: 9,1 ← 38: 10,6* ← 39: 10,1 ← 40: 10,1 ↖</p> <p>Serie: 49,0 Summa: 370,0</p>
--	--	--	---

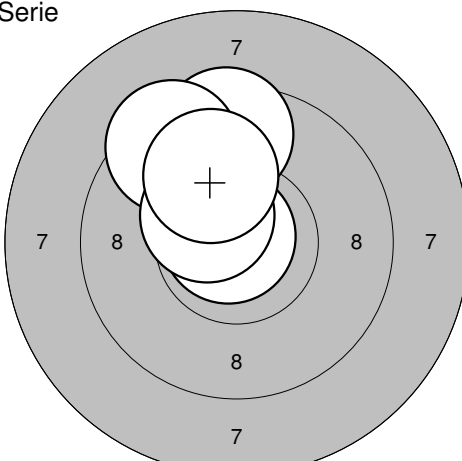
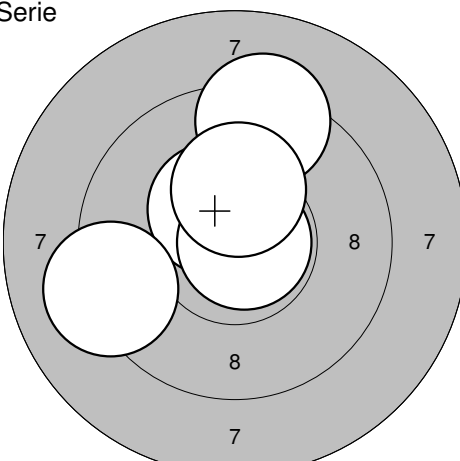
<p>Serie</p>  <p style="text-align: center;">6 7 8 6 7 8 6 8 7 6</p>	<p>1: 10,1 ↗ 2: 8,3 → 3: 9,7 ← 4: 10,9* ↘ 5: 10,8* ←</p>	<p>Serie</p>  <p style="text-align: center;">6 7 8 6 7 8 6 8 7 6</p>	<p>6: 9,7 ↘ 7: 10,3* ↓ 8: 10,2* ↘ 9: 9,5 → 10: 8,6 →</p>
Serie: 47,0 Summa: 47,0		Serie: 46,0 Summa: 93,0	

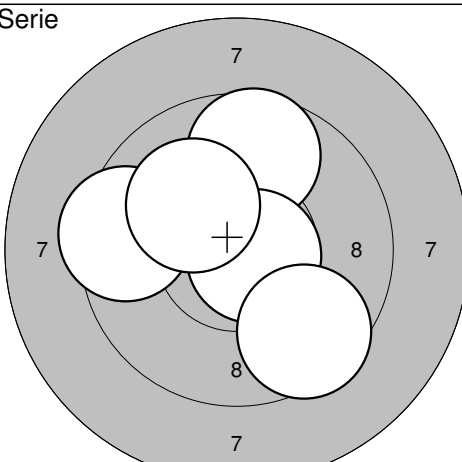
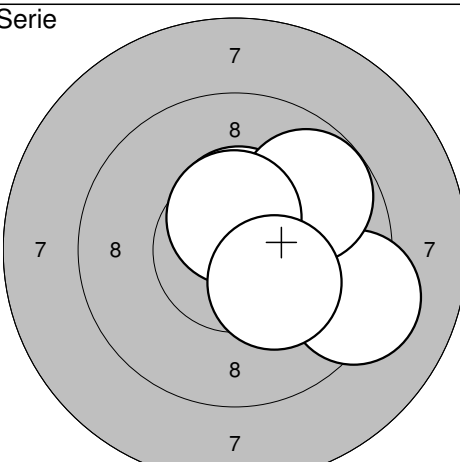
<p>Serie</p>  <p style="text-align: center;">7 8 7 8 7 8 7</p>	<p>11: 9,8 → 12: 8,9 → 13: 10,6* ↘ 14: 10,4* ↘ 15: 10,2* ↘</p>	<p>Serie</p>  <p style="text-align: center;">7 8 7 8 7 8 7</p>	<p>16: 10,2* ↙ 17: 10,0 → 18: 10,1 ↗ 19: 9,6 → 20: 10,1 ←</p>
Serie: 47,0 Summa: 140,0		Serie: 49,0 Summa: 189,0	

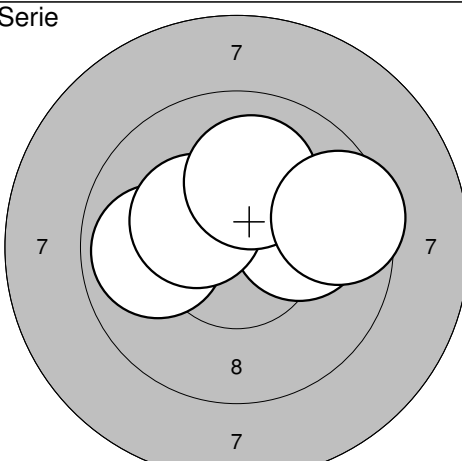
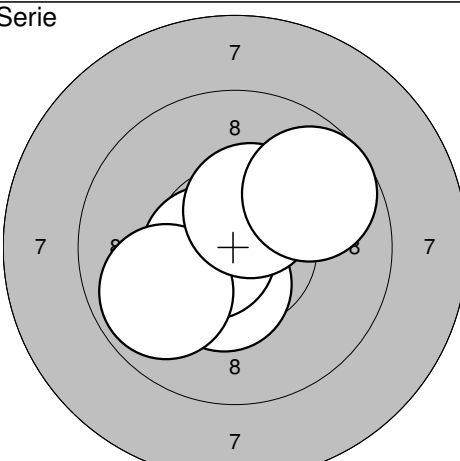
<p>Serie</p>  <p style="text-align: center;">7 8 7 8 7 8 7</p>	<p>21: 10,2* ↘ 22: 9,7 ↘ 23: 8,9 → 24: 9,7 → 25: 9,6 ↗</p>	<p>Serie</p>  <p style="text-align: center;">7 8 7 8 7 8 7</p>	<p>26: 10,5* ← 27: 10,2* ← 28: 10,6* ← 29: 9,5 ↑ 30: 9,9 ↗</p>
Serie: 45,0 Summa: 234,0		Serie: 48,0 Summa: 282,0	

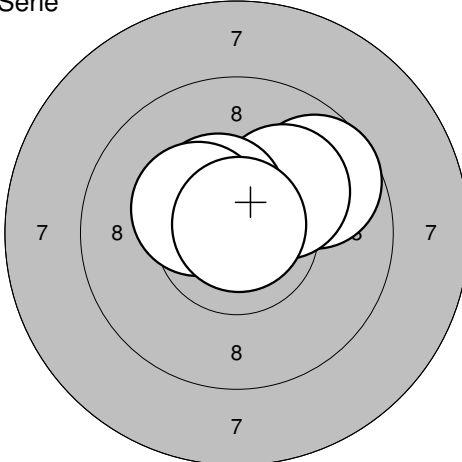
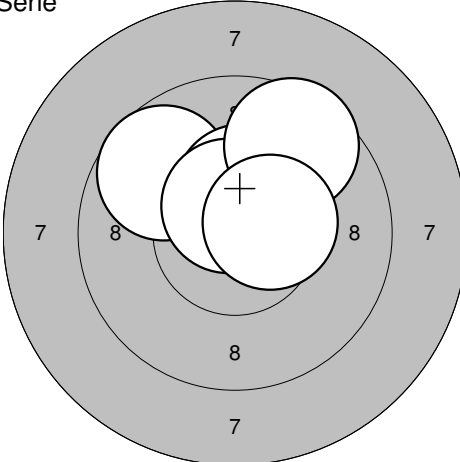
<p>Serie</p>  <p style="text-align: center;">7 8 7 8 7 8 7</p>	<p>31: 10,0 ↗ 32: 9,6 ↘ 33: 9,7 ↗ 34: 10,6* ↘ 35: 10,3* →</p>	<p>Serie</p>  <p style="text-align: center;">6 7 8 7 6 8 7 6</p>	<p>36: 8,2 ← 37: 9,4 ← 38: 9,9 ↑ 39: 10,5* ↘ 40: 10,0 ←</p>
Serie: 48,0 Summa: 330,0		Serie: 46,0 Summa: 376,0	

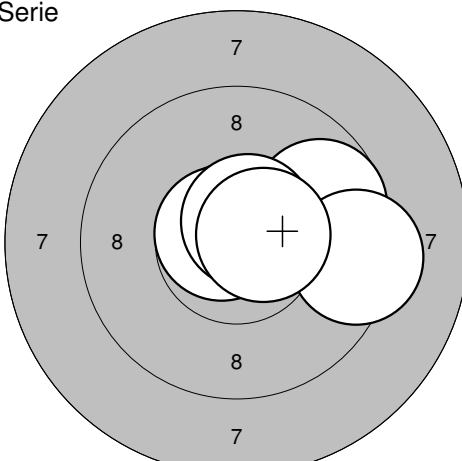
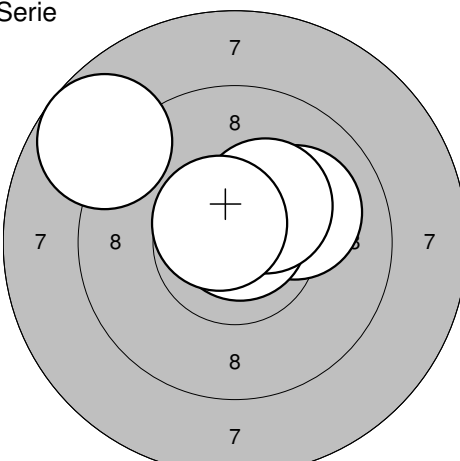
Serie	Serie	Serie
	1: 9,9 ← 2: 9,2 ↗ 3: 9,3 ↙ 4: 9,2 ↗ 5: 10,0 ↗	
Serie: 46,0	Serie: 49,0	Serie: 49,0
Summa: 46,0	Summa: 95,0	Summa: 95,0

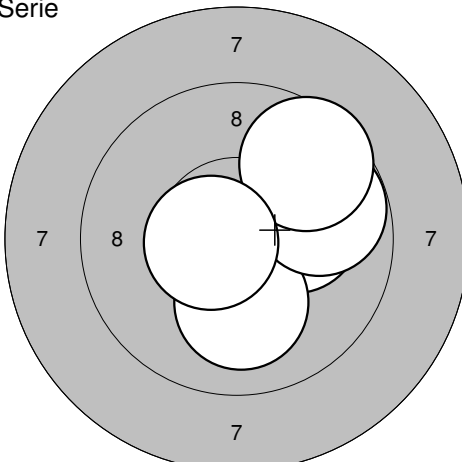
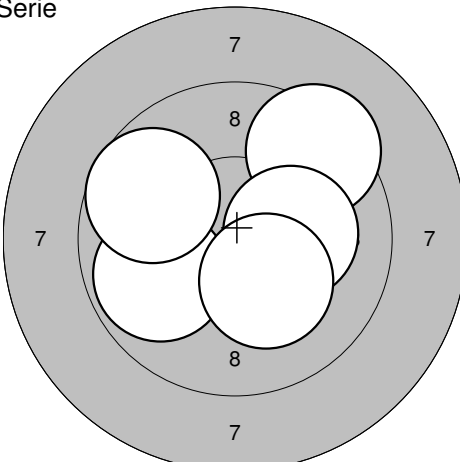
Serie	Serie	Serie
	11: 9,5 ↑ 12: 9,4 ↗ 13: 10,8* ↗ 14: 10,4* ↗ 15: 10,0 ↑	
Serie: 48,0	Serie: 48,0	Serie: 48,0
Summa: 143,0	Summa: 191,0	Summa: 191,0

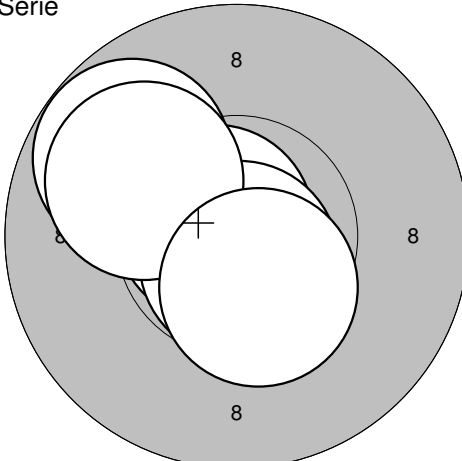
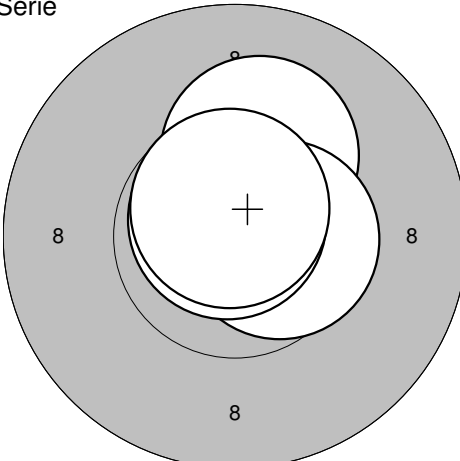
Serie	Serie	Serie
	21: 9,5 ← 22: 9,7 ↑ 23: 10,7* → 24: 10,1 ↗ 25: 9,5 ↓	
Serie: 47,0	Serie: 48,0	Serie: 48,0
Summa: 238,0	Summa: 286,0	Summa: 286,0

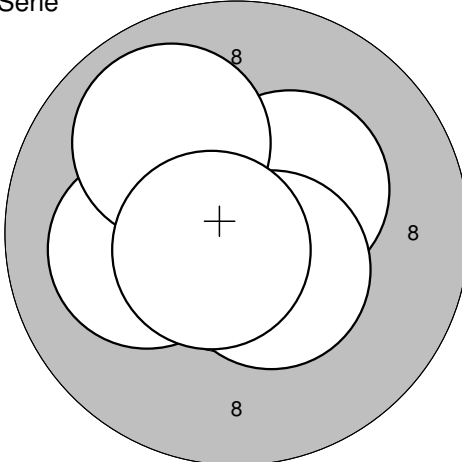
Serie	Serie	Serie
	31: 10,1 → 32: 9,9 ← 33: 10,3* ↙ 34: 10,1 ↑ 35: 9,5 →	
Serie: 48,0	Serie: 48,0	Serie: 48,0
Summa: 334,0	Summa: 382,0	Summa: 382,0

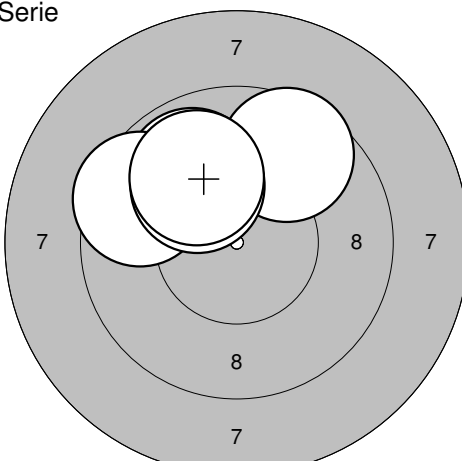
Serie		Serie	
	1: 9,7 ↗ 2: 10,1 ↗ 3: 10,5* ↖ 4: 10,3* ↖ 5: 10,8* ↑		6: 9,7 ↖ 7: 10,4* ↑ 8: 10,6* ↑ 9: 9,6 ↗ 10: 10,5* →
Serie: 49,0	Summa: 49,0	Serie: 48,0	Summa: 97,0

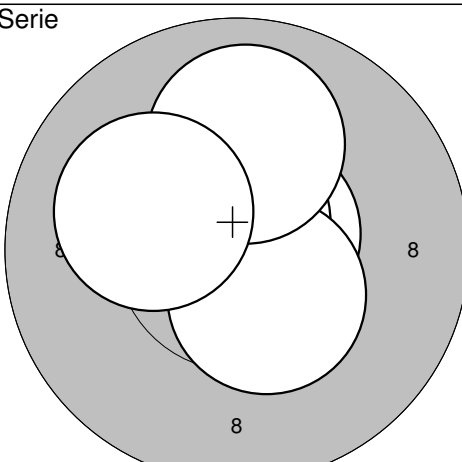
Serie		Serie	
	11: 9,7 ↗ 12: 10,7* ↖ 13: 9,3 → 14: 10,6* ↗ 15: 10,6* →		16: 10,1 → 17: 10,8* ↗ 18: 8,8 ↖ 19: 10,3* ↗ 20: 10,6* ↖
Serie: 48,0	Summa: 145,0	Serie: 48,0	Summa: 193,0

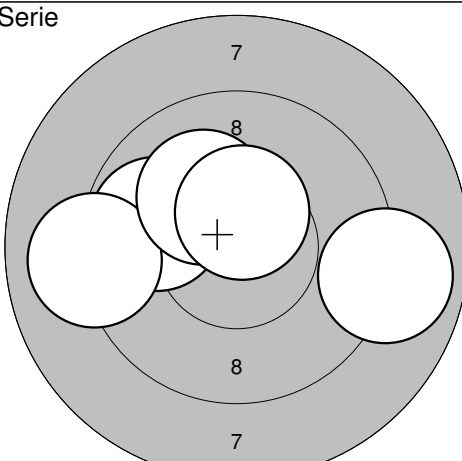
Serie		Serie	
	21: 10,2* → 22: 10,1 ↓ 23: 9,8 → 24: 9,6 ↗ 25: 10,6* ←		26: 9,4 ↗ 27: 9,9 ↖ 28: 9,7 ↖ 29: 10,2* → 30: 10,2* ↘
Serie: 48,0	Summa: 241,0	Serie: 47,0	Summa: 288,0

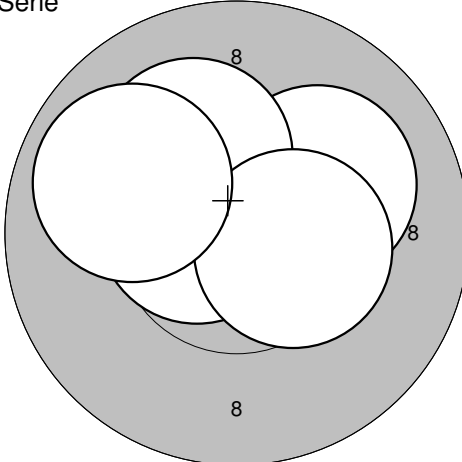
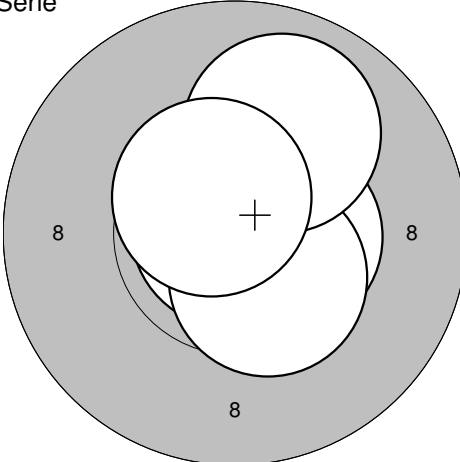
Serie		Serie	
	31: 10,7* ↖ 32: 9,8 ↖ 33: 10,7* ↓ 34: 10,0 ↖ 35: 10,4* ↓		36: 10,8* ↗ 37: 10,2* ↑ 38: 10,5* → 39: 10,8* ↖ 40: 10,7* ↑
Serie: 49,0	Summa: 337,0	Serie: 50,0	Summa: 387,0

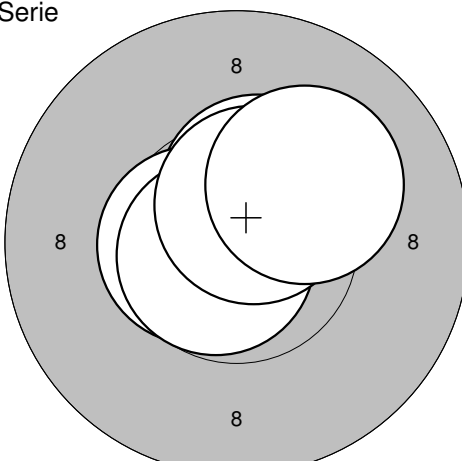
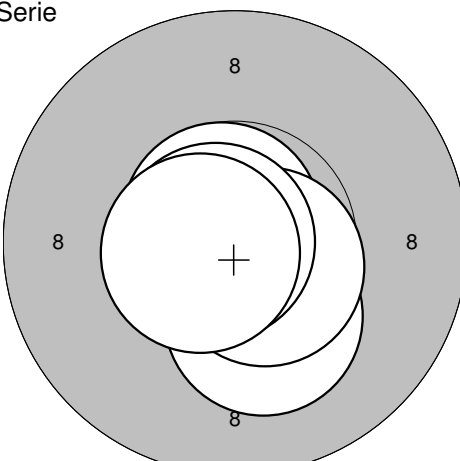
Serie	Serie	Serie
	1: 10,1 ← 2: 10,3* ↗ 3: 10,5* ↘ 4: 9,9 ↗ 5: 10,7* ↖	6: 10,3* ← 7: 10,6* ↘ 8: 10,2* ↘ 9: 10,1 ↗ 10: 10,5* ↗
Serie: 49,0	Serie: 50,0	Serie: 50,0
Summa: 49,0	Summa: 99,0	Summa: 99,0

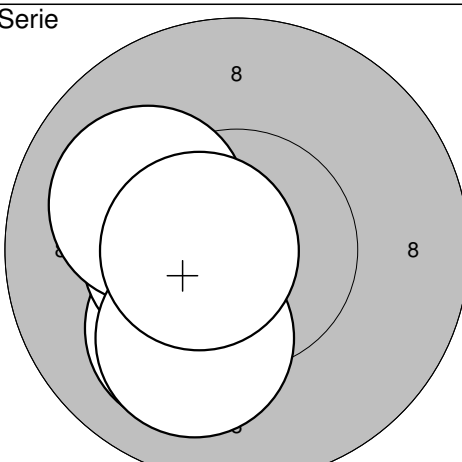
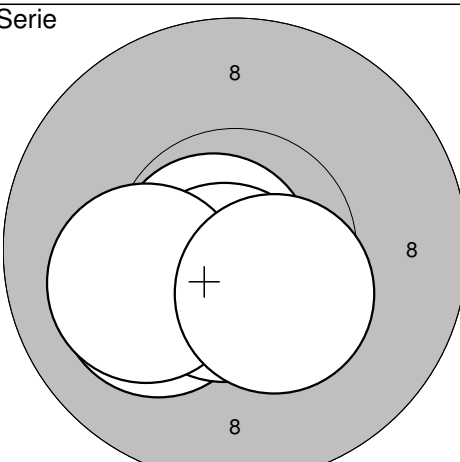
Serie	Serie	Serie
	11: 9,9 ↗ 12: 9,6 ↗ 13: 9,5 ← 14: 10,0 ↗ 15: 9,9 ↗	16: 9,4 ↘ 17: 10,4* ↘ 18: 10,1 → 19: 9,9 ↗ 20: 10,5* ←
Serie: 46,0	Serie: 48,0	Serie: 48,0
Summa: 145,0	Summa: 193,0	Summa: 193,0

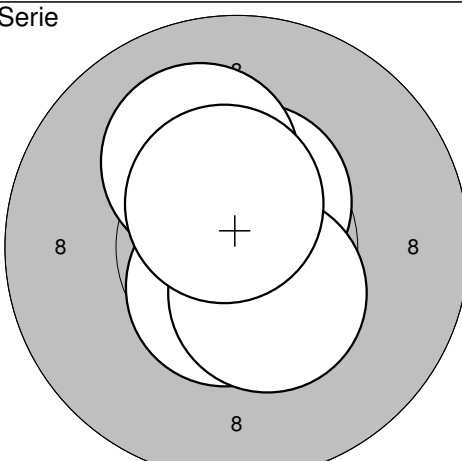
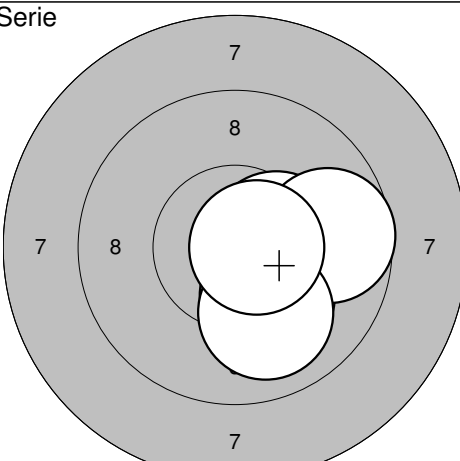
Serie	Serie	Serie
	21: 10,7* ↗ 22: 10,7* ↑ 23: 10,5* ↘ 24: 10,0 ↑ 25: 10,1 ←	26: 10,7* ↖ 27: 9,9 ↗ 28: 10,3* ↖ 29: 9,4 ← 30: 10,0 ←
Serie: 50,0	Serie: 48,0	Serie: 48,0
Summa: 243,0	Summa: 291,0	Summa: 291,0

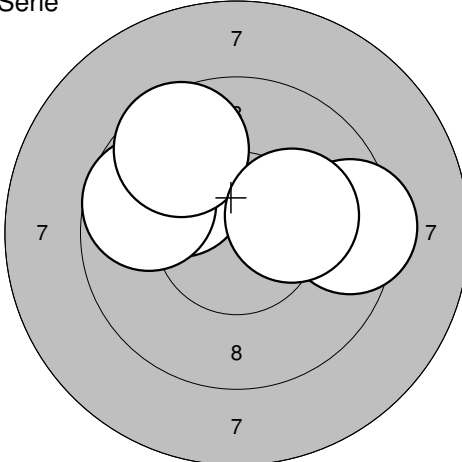
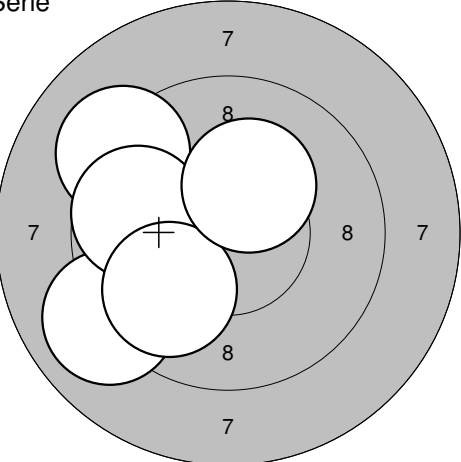
Serie	Serie	Serie
	31: 9,8 ← 32: 9,0 ← 33: 10,2* ↗ 34: 8,9 → 35: 10,5* ↑	36: 10,5* ↗ 37: 9,4 ← 38: 8,6 → 39: 10,3* ↖ 40: 10,5* ↘
Serie: 46,0	Serie: 47,0	Serie: 47,0
Summa: 337,0	Summa: 384,0	Summa: 384,0

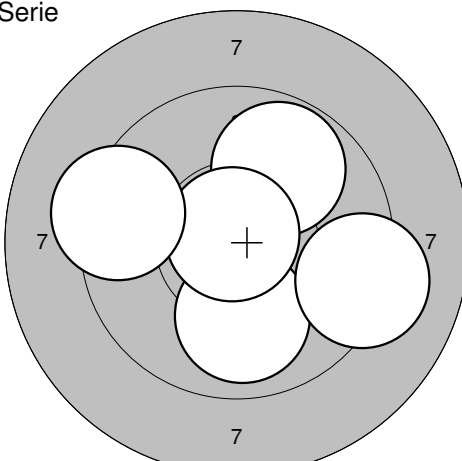
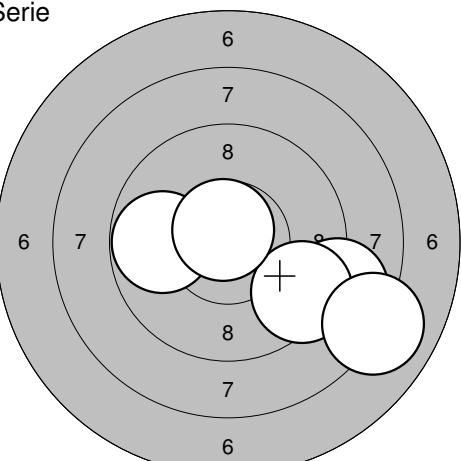
Serie 	1: 10,1 → 2: 10,6* ← 3: 10,2* ↗ 4: 10,4* → 5: 9,9 ↖ <hr/> Serie: 49,0 Summa: 49,0	Serie 	6: 10,5* → 7: 10,9* ↗ 8: 10,4* ↘ 9: 10,0 ↗ 10: 10,6* ↗ <hr/> Serie: 50,0 Summa: 99,0
---	---	---	--

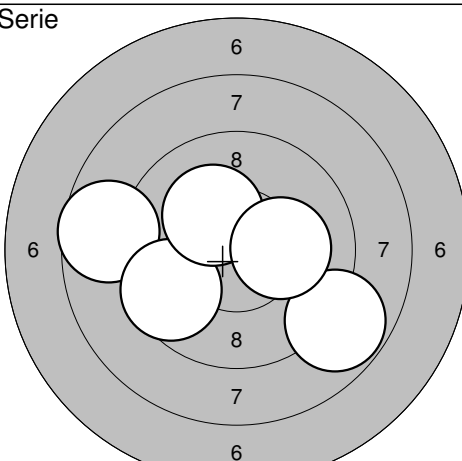
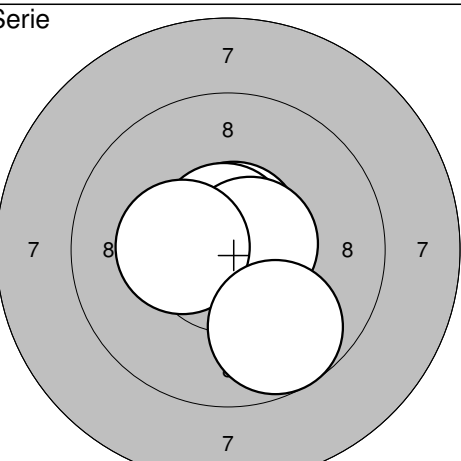
Serie 	11: 10,5* ↗ 12: 10,6* ← 13: 10,7* ↙ 14: 10,6* ↗ 15: 10,1 ↗ <hr/> Serie: 50,0 Summa: 149,0	Serie 	16: 10,7* ↗ 17: 10,2* ↘ 18: 10,6* ↘ 19: 10,8* ← 20: 10,6* ← <hr/> Serie: 50,0 Summa: 199,0
--	---	--	--

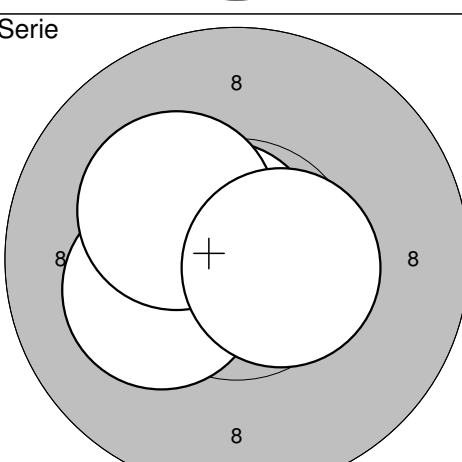
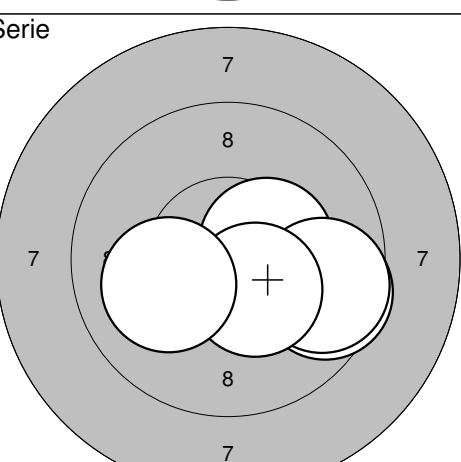
Serie 	21: 10,1 ↘ 22: 10,5* ← 23: 10,1 ↖ 24: 10,1 ↘ 25: 10,6* ← <hr/> Serie: 50,0 Summa: 249,0	Serie 	26: 10,1 ↙ 27: 10,8* ← 28: 10,6* ↘ 29: 10,1 ← 30: 10,4* ↘ <hr/> Serie: 50,0 Summa: 299,0
---	---	---	--

Serie 	31: 10,6* ↘ 32: 10,5* ↗ 33: 10,1 ↗ 34: 10,4* ↘ 35: 10,5* ↗ <hr/> Serie: 50,0 Summa: 349,0	Serie 	36: 10,4* → 37: 10,2* ↘ 38: 9,7 → 39: 10,0 ↘ 40: 10,7* → <hr/> Serie: 49,0 Summa: 398,0
---	---	---	---

<p>Serie</p>  <p style="text-align: center;">7</p>	<p>1: 10,0 ↗ 2: 9,7 ← 3: 9,4 → 4: 9,6 ↗ 5: 10,2* →</p>	<p>Serie</p>  <p style="text-align: center;">7</p>	<p>6: 9,0 ↙ 7: 9,2 ↖ 8: 9,7 ← 9: 9,9 ↙ 10: 10,3* ↗</p>
<p>Serie: 47,0 Summa: 47,0</p>		<p>Serie: 46,0 Summa: 93,0</p>	

<p>Serie</p>  <p style="text-align: center;">7</p>	<p>11: 9,8 ↗ 12: 10,0 ↓ 13: 10,8* ↗ 14: 9,3 ← 15: 9,2 →</p>	<p>Serie</p>  <p style="text-align: center;">6</p>	<p>16: 9,8 ← 17: 8,9 → 18: 9,4 → 19: 8,0 → 20: 10,7* ↗</p>
<p>Serie: 47,0 Summa: 140,0</p>		<p>Serie: 44,0 Summa: 184,0</p>	

<p>Serie</p>  <p style="text-align: center;">6</p>	<p>21: 8,8 ↘ 22: 8,7 ← 23: 9,6 ↙ 24: 10,2* ↗ 25: 10,2* →</p>	<p>Serie</p>  <p style="text-align: center;">7</p>	<p>26: 10,7* ↗ 27: 10,7* ↗ 28: 10,6* → 29: 10,3* ← 30: 9,7 ↘</p>
<p>Serie: 45,0 Summa: 229,0</p>		<p>Serie: 49,0 Summa: 278,0</p>	

<p>Serie</p>  <p style="text-align: center;">8</p>	<p>31: 10,7* ↗ 32: 10,6* ← 33: 10,2* ↙ 34: 10,3* ↗ 35: 10,5* →</p>	<p>Serie</p>  <p style="text-align: center;">7</p>	<p>36: 9,6 → 37: 10,4* → 38: 9,6 → 39: 10,4* ↘ 40: 10,1 ←</p>
<p>Serie: 50,0 Summa: 328,0</p>		<p>Serie: 48,0 Summa: 376,0</p>	