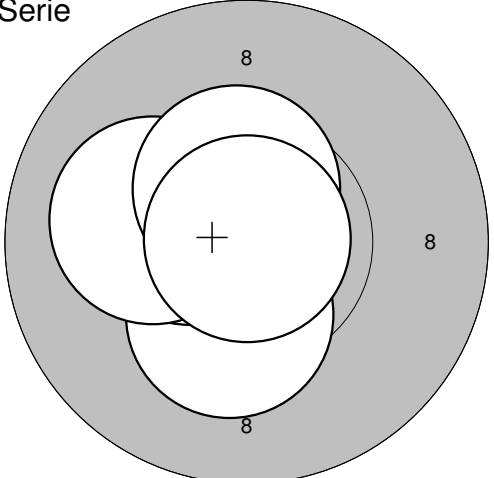
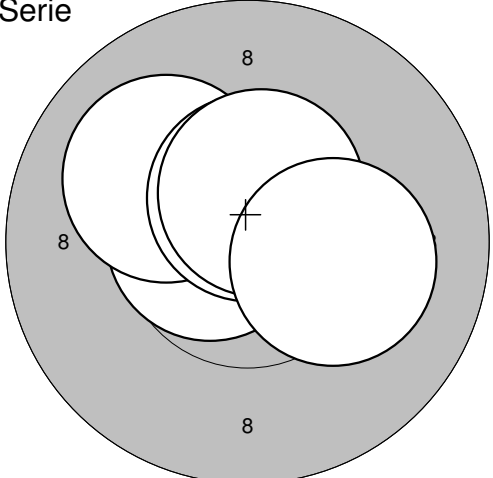
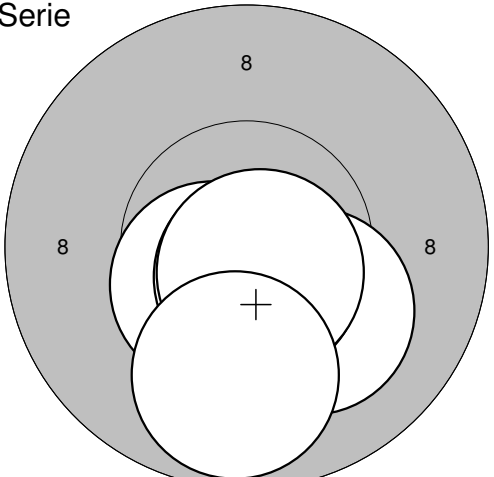
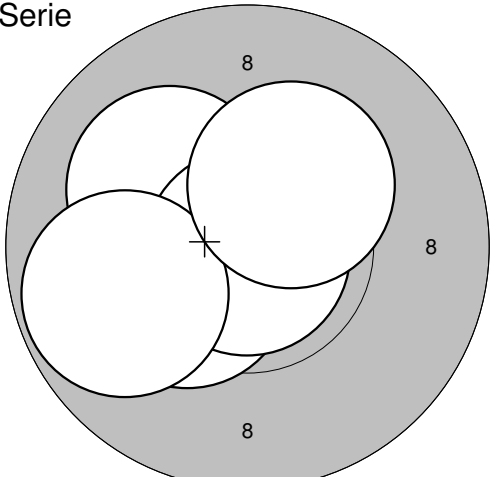
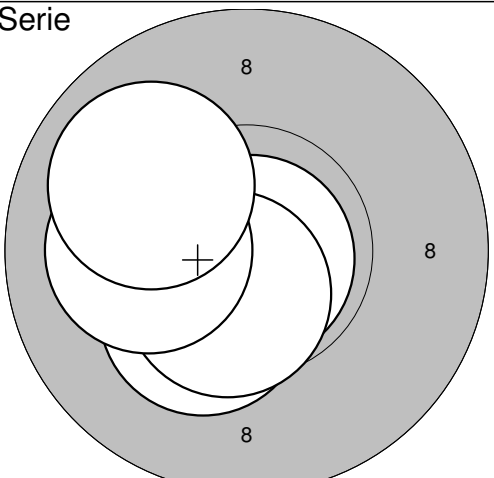
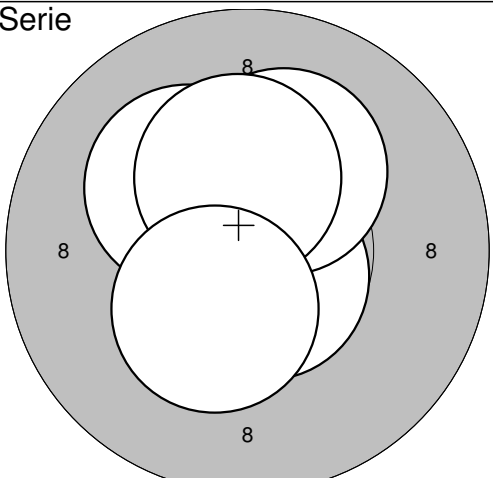
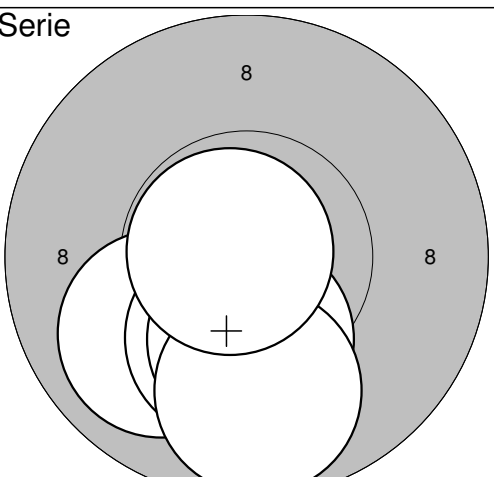
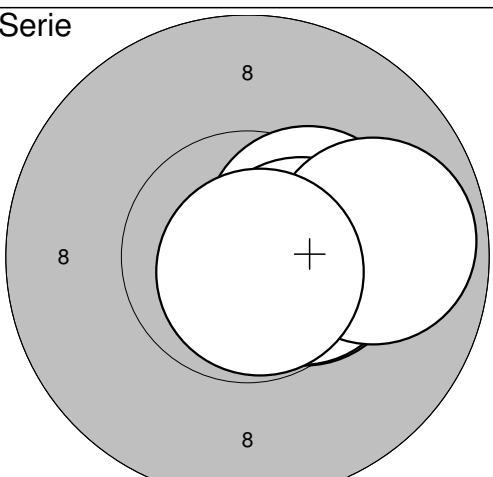
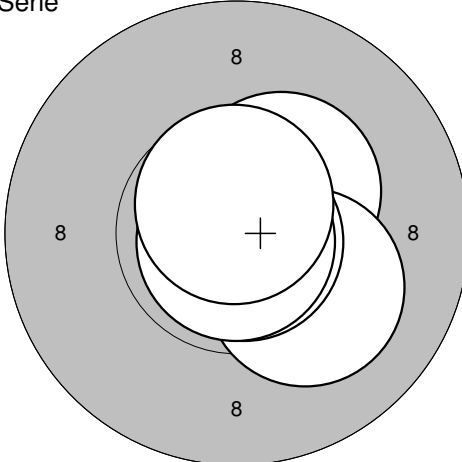
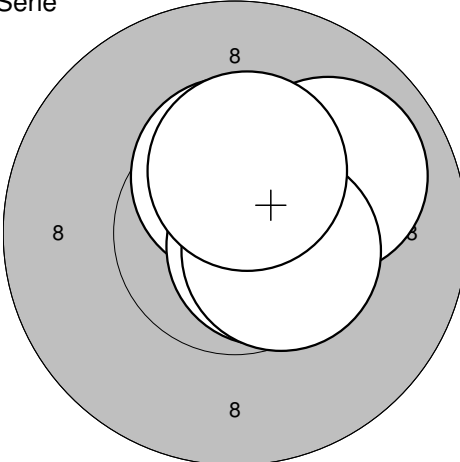


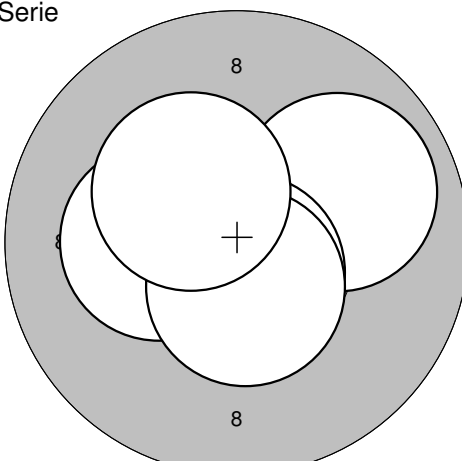
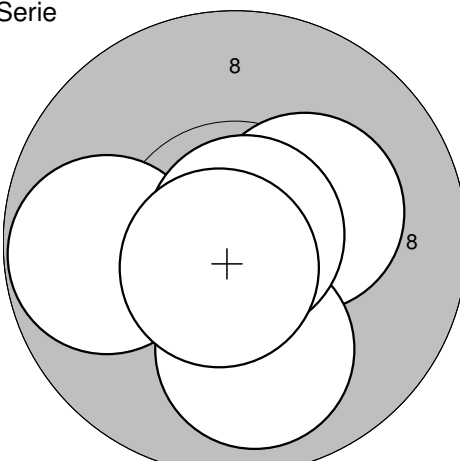
<p>Serie</p> 	<p>1:10,3* ↓ 2:10,4* ↙ 3:10,1 ← 4:10,5* ↑ 5:10,9* ↗</p> <hr/> <p>Serie: 52,2 Summa: 52,2</p>	<p>Serie</p> 	<p>6:10,6* ← 7:10,1 ↙ 8:10,6* ↑ 9:10,5* ↑ 10:10,2* →</p> <hr/> <p>Serie: 52,0 Summa: 104,2</p>
-----------------------------------------------------------------------------------------------	------------------------------------------------------------------------------------------------------------------	-------------------------------------------------------------------------------------------------	--------------------------------------------------------------------------------------------------------------------

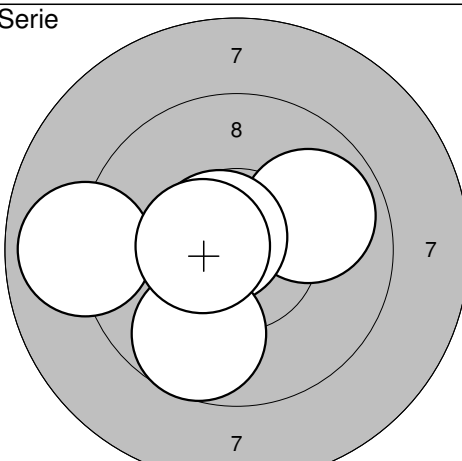
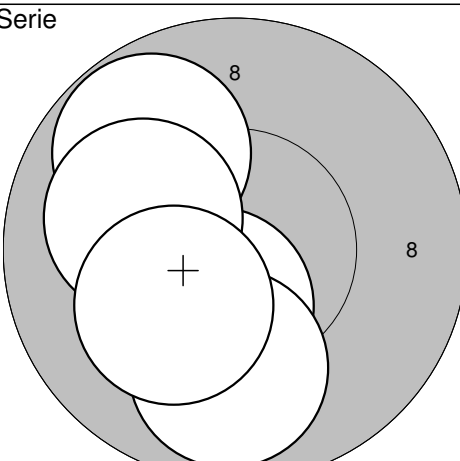
<p>Serie</p> 	<p>11:10,2* ↘ 12:10,5* ↘ 13:10,7* ↘ 14:10,7* ↘ 15: 9,8 ↓</p> <hr/> <p>Serie: 51,9 Summa: 156,1</p>	<p>Serie</p> 	<p>16:10,3* ↙ 17:10,1 ↙ 18:10,9* ↓ 19: 9,8 ← 20:10,3* ↗</p> <hr/> <p>Serie: 51,4 Summa: 207,5</p>
------------------------------------------------------------------------------------------------	------------------------------------------------------------------------------------------------------------------------	--------------------------------------------------------------------------------------------------	-----------------------------------------------------------------------------------------------------------------------

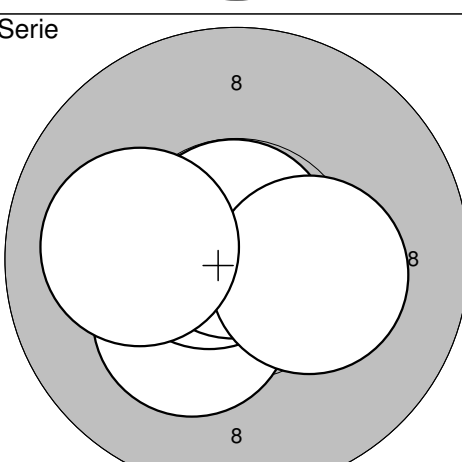
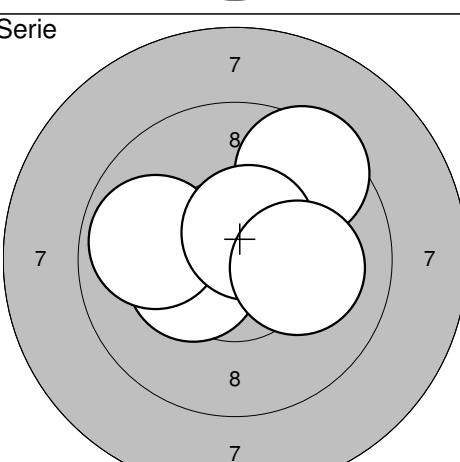
<p>Serie</p> 	<p>21:10,3* ↘ 22:10,9* ↘ 23:10,5* ↘ 24:10,1 ← 25:10,0 ↗</p> <hr/> <p>Serie: 51,8 Summa: 259,3</p>	<p>Serie</p> 	<p>26:10,7* ↘ 27:10,2* ↗ 28:10,2* ↗ 29:10,3* ↑ 30:10,4* ↓</p> <hr/> <p>Serie: 51,8 Summa: 311,1</p>
-------------------------------------------------------------------------------------------------	-----------------------------------------------------------------------------------------------------------------------	---------------------------------------------------------------------------------------------------	-------------------------------------------------------------------------------------------------------------------------

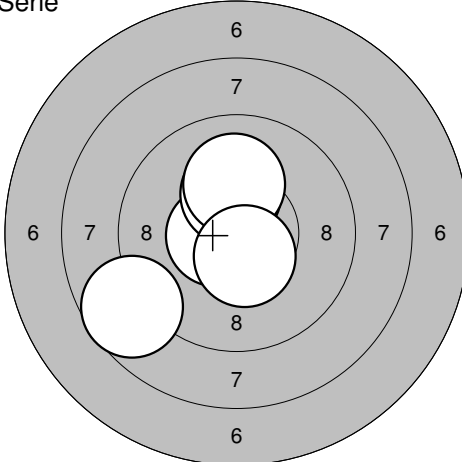
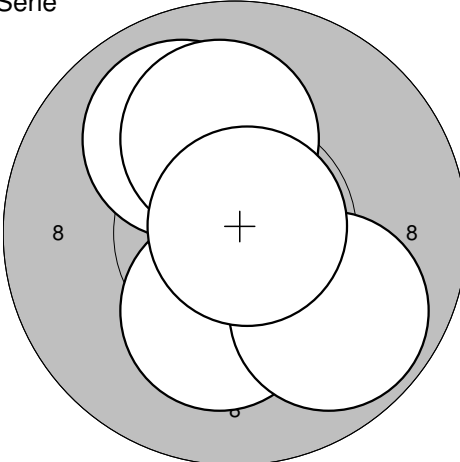
<p>Serie</p> 	<p>31:10,0 ↙ 32:10,2* ↓ 33:10,2* ↓ 34: 9,8 ↓ 35:10,8* ↙</p> <hr/> <p>Serie: 51,0 Summa: 362,1</p>	<p>Serie</p> 	<p>36:10,4* → 37:10,5* → 38:10,5* → 39: 9,9 → 40:10,8* ↘</p> <hr/> <p>Serie: 52,1 Summa: 414,2</p>
-------------------------------------------------------------------------------------------------	-----------------------------------------------------------------------------------------------------------------------	---------------------------------------------------------------------------------------------------	------------------------------------------------------------------------------------------------------------------------

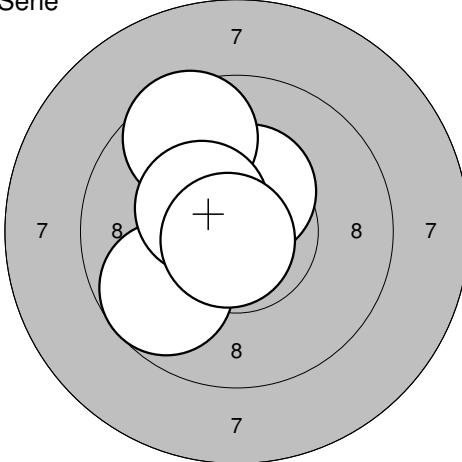
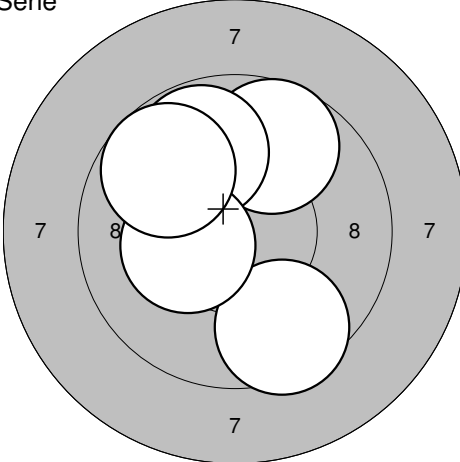
<p>Serie</p> 	<p>1: 10,4* ↗ 2: 10,2* ↘ 3: 10,8* ↘ 4: 10,9* ↓ 5: 10,7* ↑</p>	<p>Serie</p> 	<p>6: 10,0 ↗ 7: 10,4* ↑ 8: 10,6* → 9: 10,5* → 10: 10,4* ↑</p>
Serie: 53,0	Summa: 53,0	Serie: 51,9	Summa: 104,9

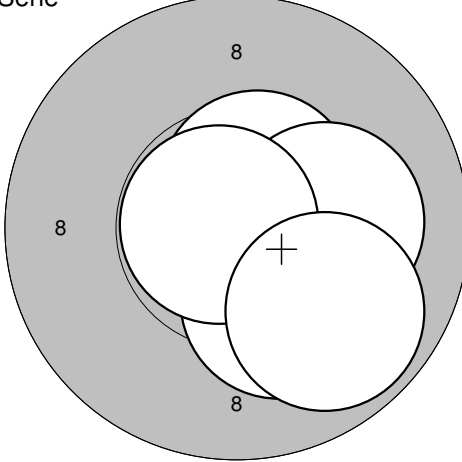
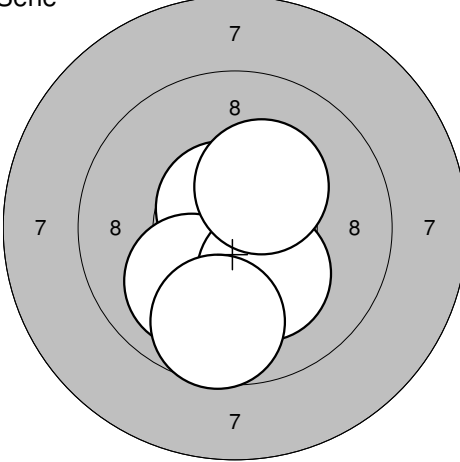
<p>Serie</p> 	<p>11: 9,9 ↗ 12: 10,3* ← 13: 10,7* ↓ 14: 10,5* ↓ 15: 10,3* ↗</p>	<p>Serie</p> 	<p>16: 9,8 ← 17: 10,3* → 18: 10,0 ↓ 19: 10,8* → 20: 10,7* ↓</p>
Serie: 51,7	Summa: 156,6	Serie: 51,6	Summa: 208,2

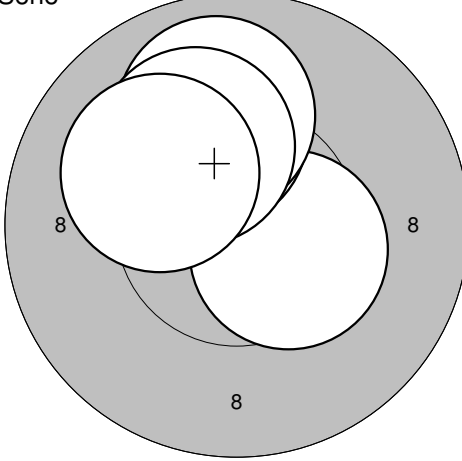
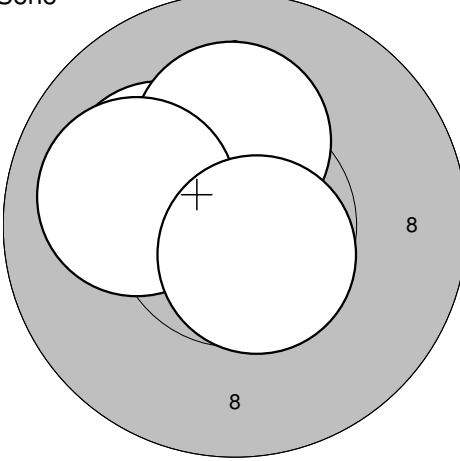
<p>Serie</p> 	<p>21: 9,9 ↗ 22: 10,7* ↖ 23: 8,9 ← 24: 9,7 ↓ 25: 10,5* ←</p>	<p>Serie</p> 	<p>26: 10,4* ↓ 27: 9,8 ↗ 28: 10,1 ↖ 29: 9,9 ↓ 30: 10,2* ↖</p>
Serie: 49,7	Summa: 257,9	Serie: 50,4	Summa: 308,3

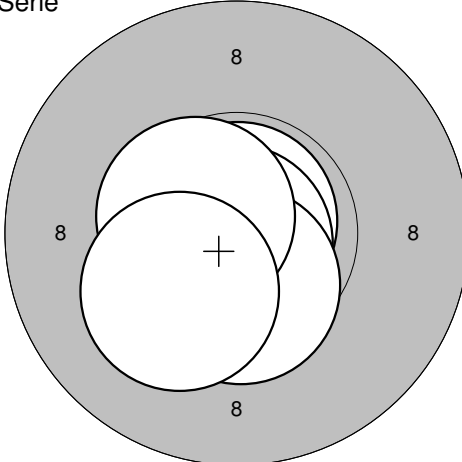
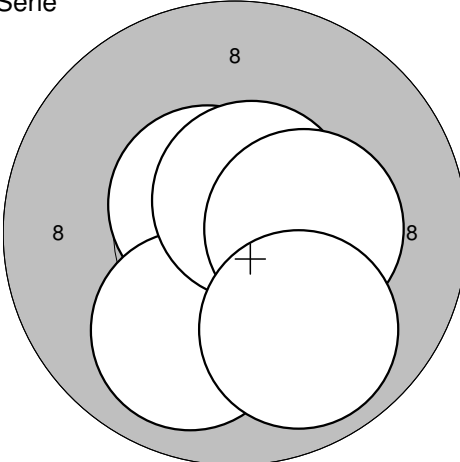
<p>Serie</p> 	<p>31: 10,3* ↓ 32: 10,7* ↖ 33: 10,8* ↑ 34: 10,3* → 35: 10,1 ←</p>	<p>Serie</p> 	<p>36: 10,4* ← 37: 9,9 ← 38: 9,5 ↗ 39: 10,5* ↗ 40: 10,1 →</p>
Serie: 52,2	Summa: 360,5	Serie: 50,4	Summa: 410,9

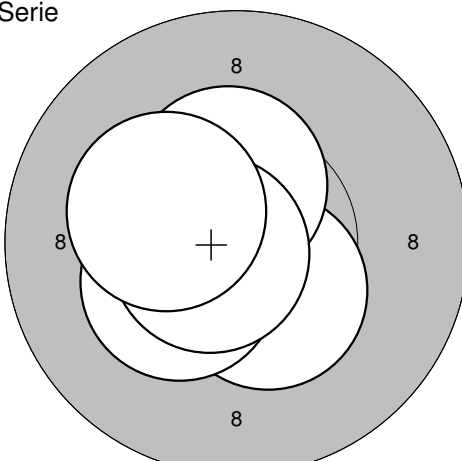
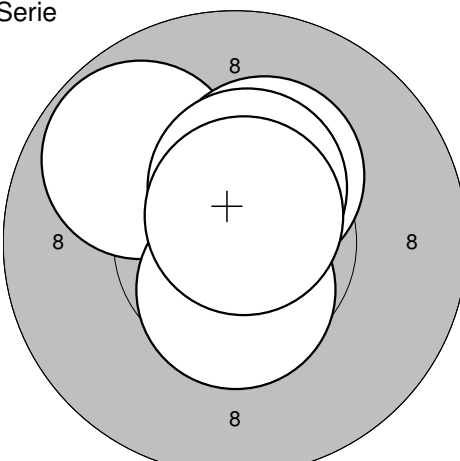
<p>Serie</p>  <p style="text-align: center;">6 7 8 8 7 6</p>	<p>1: 10,6* ←</p> <p>2: 10,3* ↑</p> <p>3: 8,7 ↙</p> <p>4: 10,1 ↑</p> <p>5: 10,5* ↓</p>	<p>Serie</p>  <p style="text-align: center;">8 8</p>	<p>6: 10,0 ↗</p> <p>7: 10,2* ↓</p> <p>8: 9,8 ↘</p> <p>9: 10,1 ↑</p> <p>10: 10,8* →</p>
Serie: 50,2		Serie: 50,9	
Summa: 50,2		Summa: 101,1	

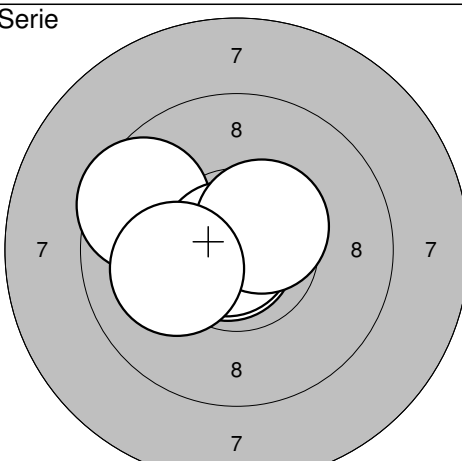
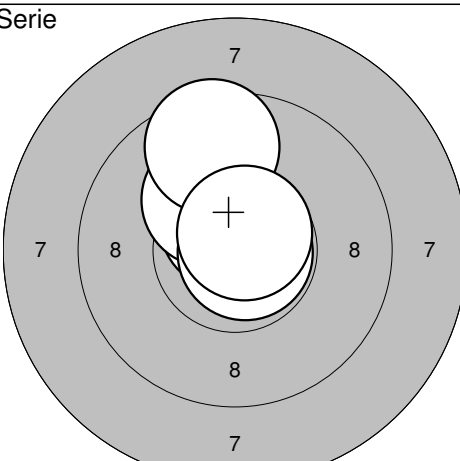
<p>Serie</p>  <p style="text-align: center;">7 8 8 7</p>	<p>11: 9,7 ↙</p> <p>12: 10,4* ↑</p> <p>13: 9,6 ↗</p> <p>14: 10,4* ↘</p> <p>15: 10,8* ↙</p>	<p>Serie</p>  <p style="text-align: center;">7 8 8 7</p>	<p>16: 9,7 ↗</p> <p>17: 9,5 ↓</p> <p>18: 9,8 ↗</p> <p>19: 10,3* ←</p> <p>20: 9,7 ↗</p>
Serie: 50,9		Serie: 49,0	
Summa: 152,0		Summa: 201,0	

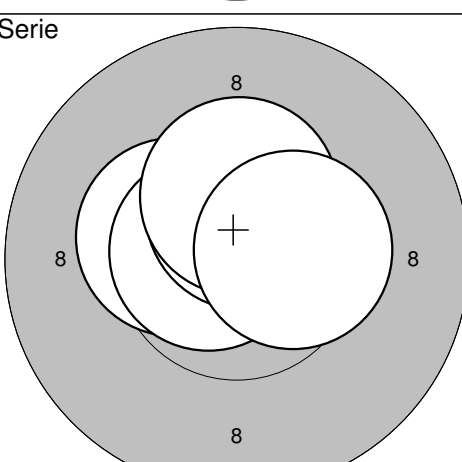
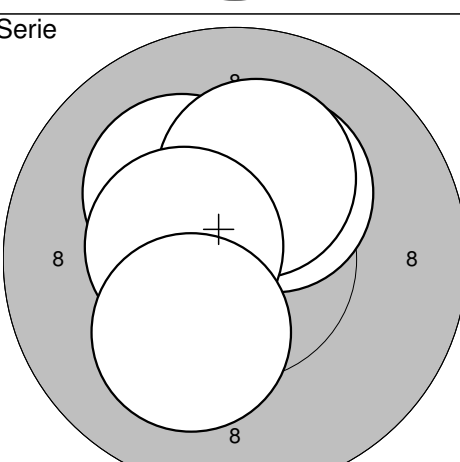
<p>Serie</p>  <p style="text-align: center;">8 8</p>	<p>21: 10,6* ↗</p> <p>22: 10,2* ↓</p> <p>23: 10,1 →</p> <p>24: 10,8* ←</p> <p>25: 9,8 ↓</p>	<p>Serie</p>  <p style="text-align: center;">7 8 8 7</p>	<p>26: 10,6* ↗</p> <p>27: 10,0 ↙</p> <p>28: 10,2* ↓</p> <p>29: 10,3* ↗</p> <p>30: 9,7 ↓</p>
Serie: 51,5		Serie: 50,8	
Summa: 252,5		Summa: 303,3	

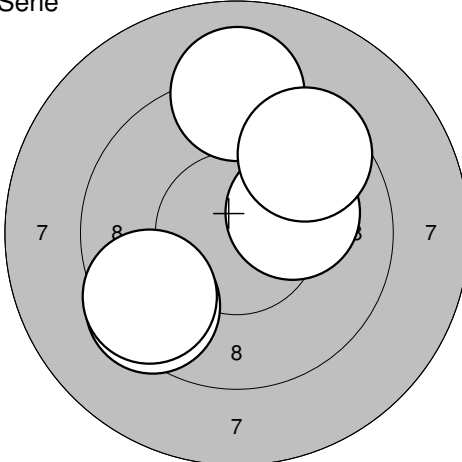
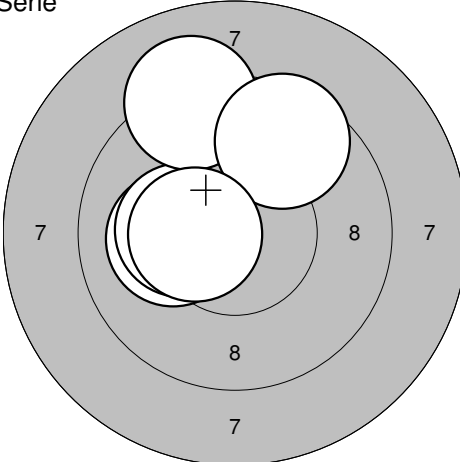
<p>Serie</p>  <p style="text-align: center;">8 8</p>	<p>31: 10,4* →</p> <p>32: 10,1 ↑</p> <p>33: 9,9 ↑</p> <p>34: 10,1 ↗</p> <p>35: 10,1 ↗</p>	<p>Serie</p>  <p style="text-align: center;">8 8</p>	<p>36: 10,5* ↗</p> <p>37: 10,2* ↗</p> <p>38: 10,2* ↑</p> <p>39: 10,0 ←</p> <p>40: 10,6* ↓</p>
Serie: 50,6		Serie: 51,5	
Summa: 353,9		Summa: 405,4	

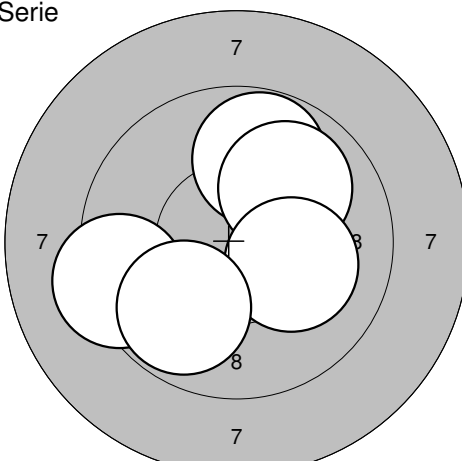
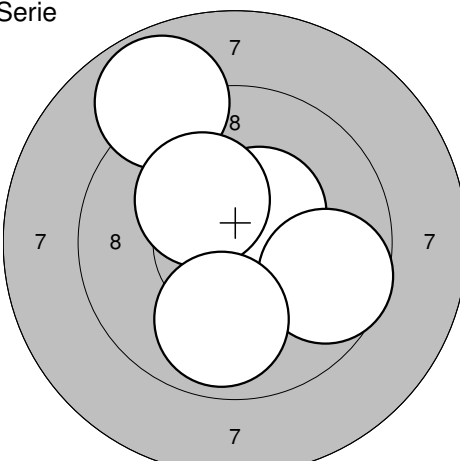
<p>Serie</p> 	<p>1: 10,8* ↑ 2: 10,8* ↓ 3: 10,5* ↓ 4: 10,6* ← 5: 10,2* ↙</p> <p>Serie: 52,9 Summa: 52,9</p>	<p>Serie</p> 	<p>6: 10,6* ↖ 7: 10,0 ↓ 8: 10,6* ↑ 9: 10,3* → 10: 9,9 ↓</p> <p>Serie: 51,4 Summa: 104,3</p>
-----------------------------------------------------------------------------------------------	------------------------------------------------------------------------------------------------------------------	-------------------------------------------------------------------------------------------------	-----------------------------------------------------------------------------------------------------------------

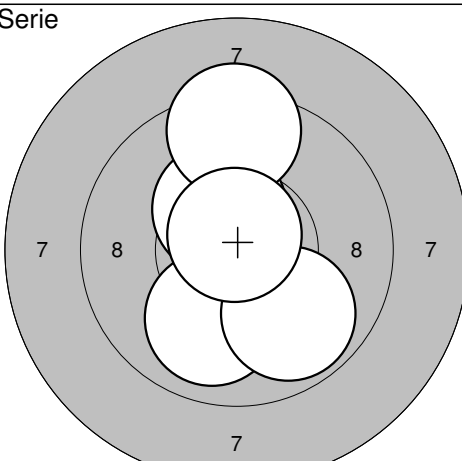
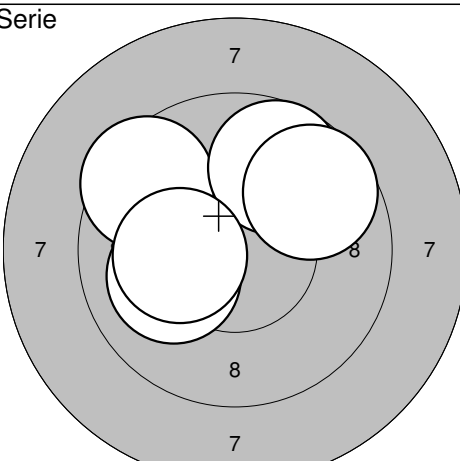
<p>Serie</p> 	<p>11: 10,4* ↓ 12: 10,4* ↑ 13: 10,3* ← 14: 10,7* ← 15: 10,3* ↙</p> <p>Serie: 52,1 Summa: 156,4</p>	<p>Serie</p> 	<p>16: 9,8 ↖ 17: 10,5* ↓ 18: 10,3* ↑ 19: 10,4* ↑ 20: 10,7* ↑</p> <p>Serie: 51,7 Summa: 208,1</p>
------------------------------------------------------------------------------------------------	------------------------------------------------------------------------------------------------------------------------	--------------------------------------------------------------------------------------------------	----------------------------------------------------------------------------------------------------------------------

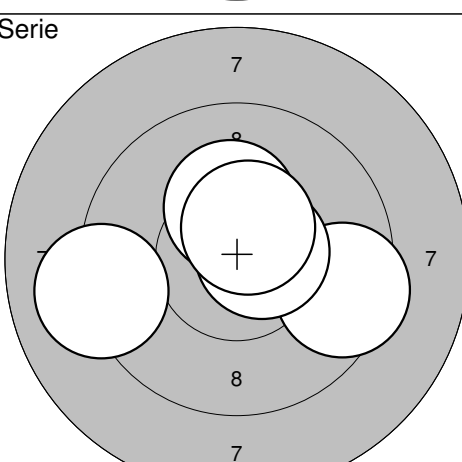
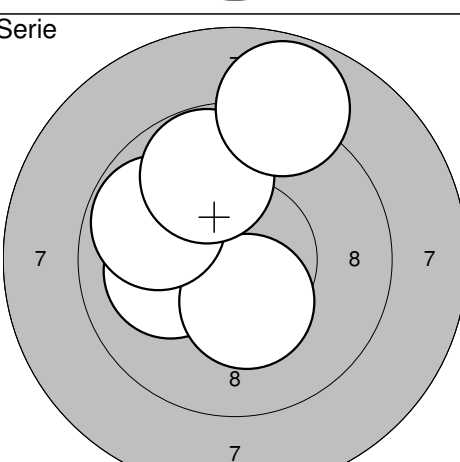
<p>Serie</p> 	<p>21: 10,8* ↙ 22: 9,6 ↙ 23: 10,8* ← 24: 10,5* ↗ 25: 10,1 ←</p> <p>Serie: 51,8 Summa: 259,9</p>	<p>Serie</p> 	<p>26: 10,6* ↑ 27: 10,2* ↖ 28: 10,8* → 29: 9,5 ↑ 30: 10,7* ↑</p> <p>Serie: 51,8 Summa: 311,7</p>
-------------------------------------------------------------------------------------------------	---------------------------------------------------------------------------------------------------------------------	---------------------------------------------------------------------------------------------------	----------------------------------------------------------------------------------------------------------------------

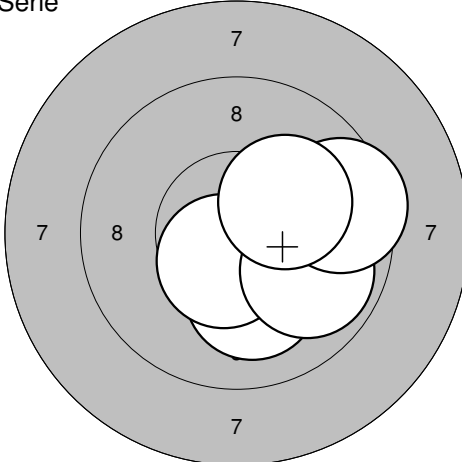
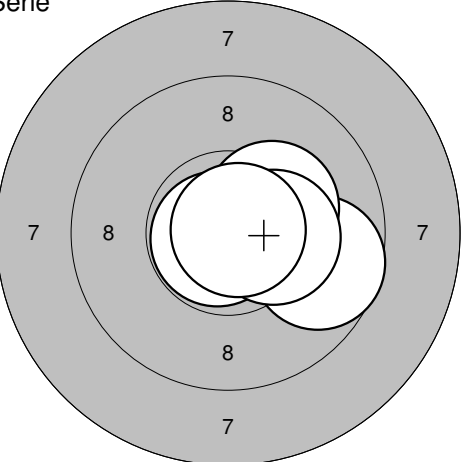
<p>Serie</p> 	<p>31: 10,4* ← 32: 10,7* ← 33: 10,5* ↑ 34: 10,4* ↑ 35: 10,4* →</p> <p>Serie: 52,4 Summa: 364,1</p>	<p>Serie</p> 	<p>36: 10,3* ↑ 37: 10,2* ↖ 38: 10,2* ↑ 39: 10,5* ← 40: 10,2* ↓</p> <p>Serie: 51,4 Summa: 415,5</p>
-------------------------------------------------------------------------------------------------	------------------------------------------------------------------------------------------------------------------------	---------------------------------------------------------------------------------------------------	------------------------------------------------------------------------------------------------------------------------

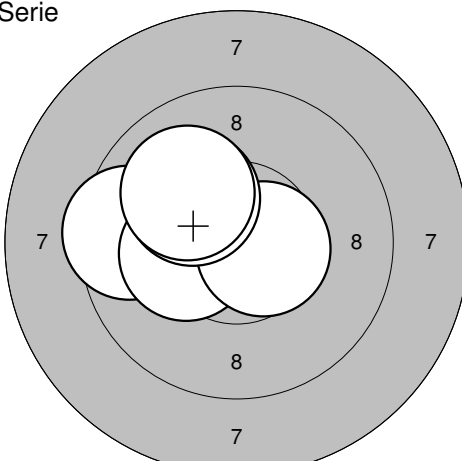
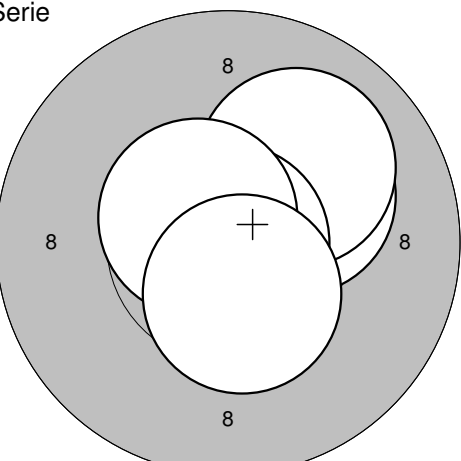
Serie 	1: 9,1 ↑ 2: 10,2* → 3: 9,5 ↙ 4: 9,5 ↙ 5: 9,6 ↗	Serie 	6: 10,1 ← 7: 10,3* ← 8: 9,1 ↑ 9: 9,6 ↗ 10: 10,4* ←
Serie: 47,9	Summa: 47,9	Serie: 49,5	Summa: 97,4

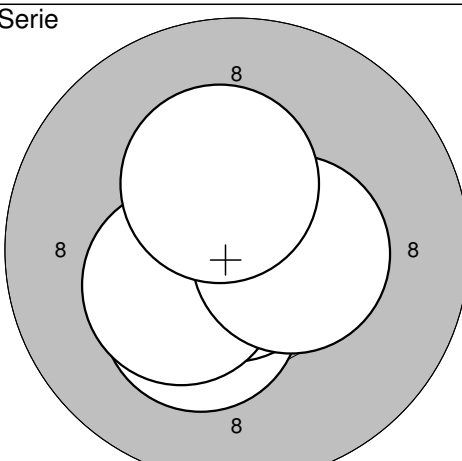
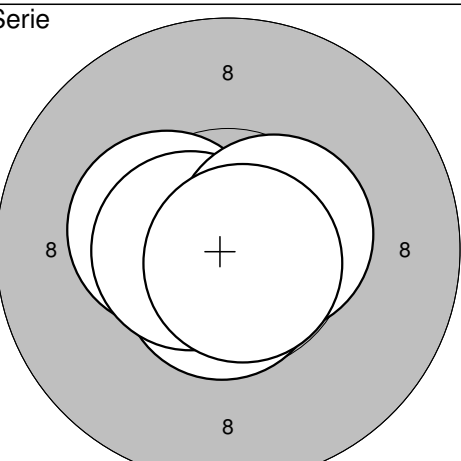
Serie 	11: 9,8 ↑ 12: 9,3 ← 13: 10,0 ↗ 14: 10,2* → 15: 9,8 ↙	Serie 	16: 10,5* ↗ 17: 9,7 → 18: 8,9 ↑ 19: 10,2* ↗ 20: 9,9 ↓
Serie: 49,1	Summa: 146,5	Serie: 49,2	Summa: 195,7

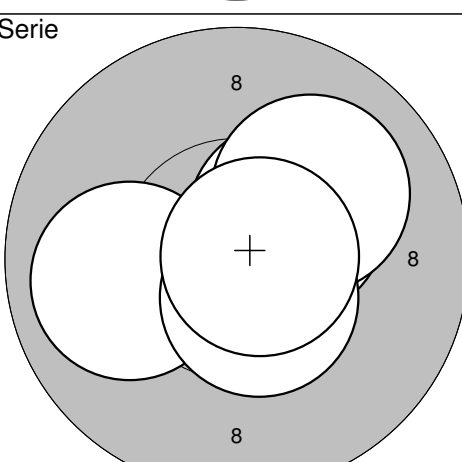
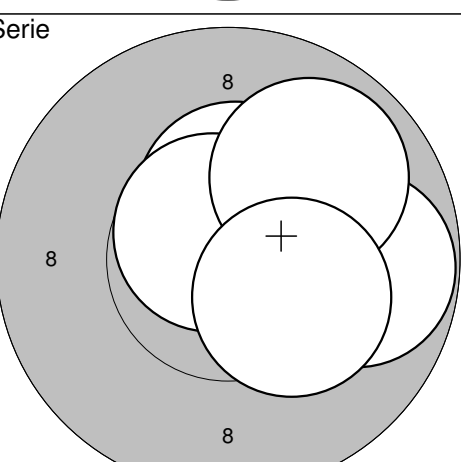
Serie 	21: 10,0 ↓ 22: 10,4* ↑ 23: 9,8 ↘ 24: 9,4 ↑ 25: 10,7* ↑	Serie 	26: 9,5 ↖ 27: 10,1 ← 28: 9,7 ↑ 29: 10,2* ← 30: 9,7 ↗
Serie: 50,3	Summa: 246,0	Serie: 49,2	Summa: 295,2

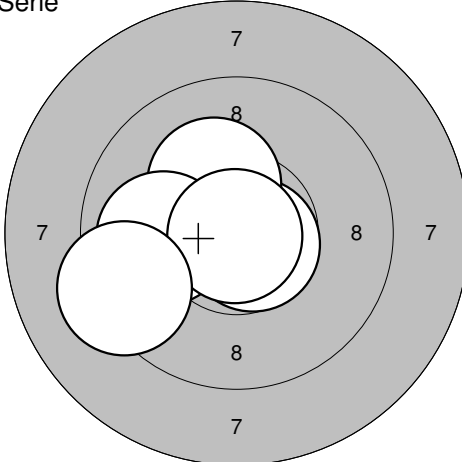
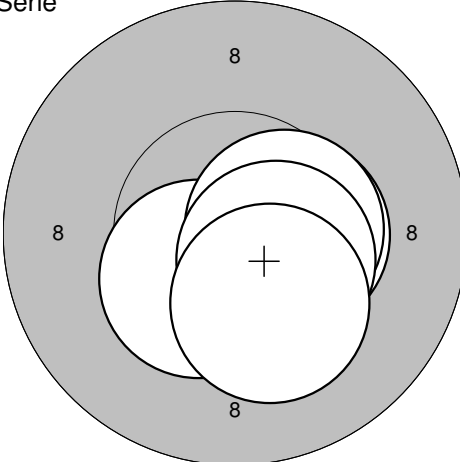
Serie 	31: 10,3* ↑ 32: 9,1 ← 33: 9,5 → 34: 10,6* → 35: 10,5* ↑	Serie 	36: 10,1 ← 37: 10,4* ↓ 38: 9,8 ↖ 39: 9,8 ↑ 40: 8,8 ↑
Serie: 50,0	Summa: 345,2	Serie: 48,9	Summa: 394,1

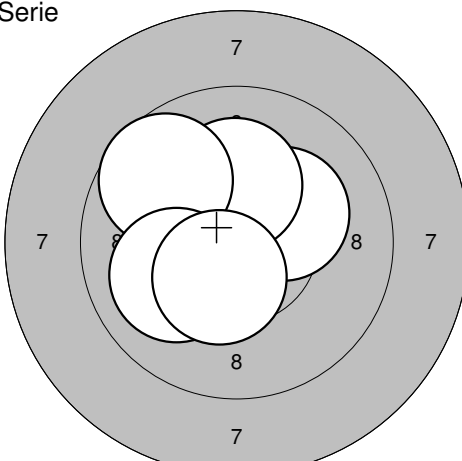
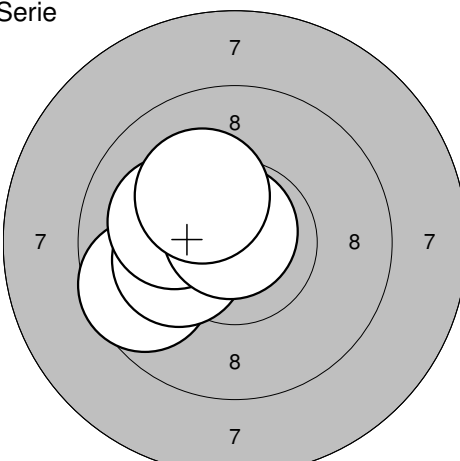
Serie 	1: 10,1 ↓ 2: 10,5* ↓ 3: 9,9 → 4: 9,5 → 5: 10,2* ↗ Serie: 50,2 Summa: 50,2	Serie 	6: 9,7 → 7: 10,8* ↙ 8: 10,3* ↗ 9: 10,3* → 10: 10,8* → Serie: 51,9 Summa: 102,1
-------------------------------------------------------------------------------------------	---------------------------------------------------------------------------------------------------------------------------	---------------------------------------------------------------------------------------------	--------------------------------------------------------------------------------------------------------------------------

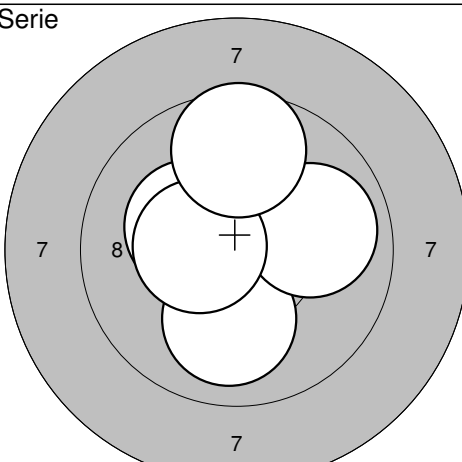
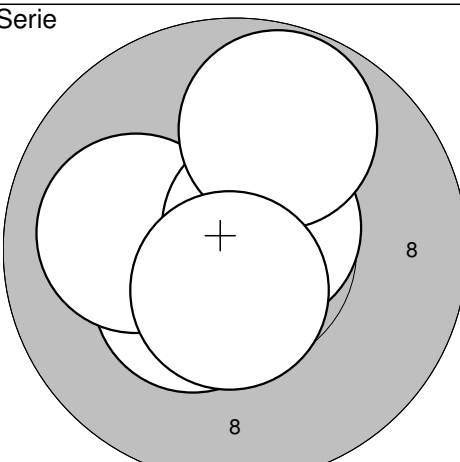
Serie 	11: 9,5 ← 12: 10,3* ← 13: 10,6* → 14: 10,1 ↗ 15: 10,0 ↗ Serie: 50,5 Summa: 152,6	Serie 	16: 10,2* ↗ 17: 10,0 ↗ 18: 10,9* ↘ 19: 10,6* ↗ 20: 10,5* ↓ Serie: 52,2 Summa: 204,8
--------------------------------------------------------------------------------------------	---------------------------------------------------------------------------------------------------------------------------	----------------------------------------------------------------------------------------------	----------------------------------------------------------------------------------------------------------------------

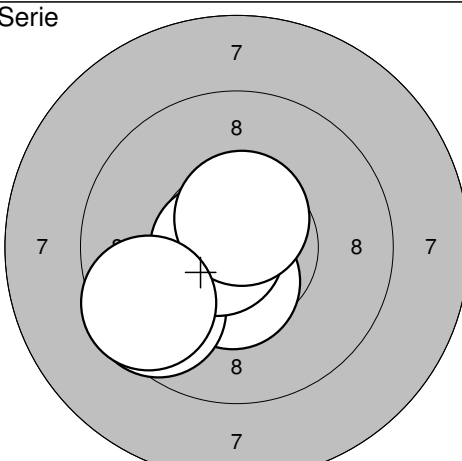
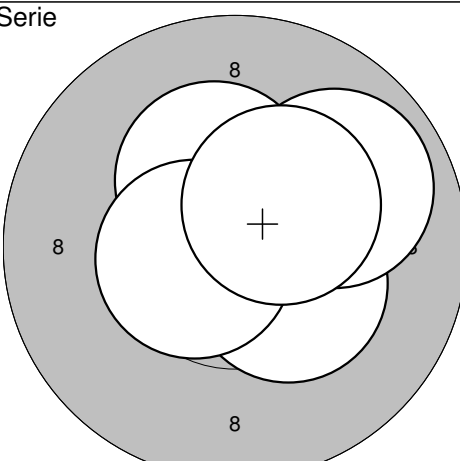
Serie 	21: 10,3* ↓ 22: 10,8* ↓ 23: 10,4* ↙ 24: 10,5* → 25: 10,3* ↑ Serie: 52,3 Summa: 257,1	Serie 	26: 10,7* ↓ 27: 10,4* ← 28: 10,6* ← 29: 10,5* → 30: 10,8* ↘ Serie: 53,0 Summa: 310,1
---------------------------------------------------------------------------------------------	---------------------------------------------------------------------------------------------------------------------	-----------------------------------------------------------------------------------------------	---------------------------------------------------------------------------------------------------------------------

Serie 	31: 10,0 ← 32: 10,4* ↗ 33: 10,1 ↗ 34: 10,5* ↓ 35: 10,7* → Serie: 51,7 Summa: 361,8	Serie 	36: 10,4* ↑ 37: 10,7* ↗ 38: 9,8 → 39: 9,9 ↗ 40: 10,3* ↘ Serie: 51,1 Summa: 412,9
---------------------------------------------------------------------------------------------	-----------------------------------------------------------------------------------------------------------------------	-----------------------------------------------------------------------------------------------	---------------------------------------------------------------------------------------------------------------------------

Serie 	1: 10,7* ↘ 2: 10,2* ↗ 3: 10,0 ← 4: 10,9* ↘ 5: 9,3 ← <hr/> Serie: 51,1 Summa: 51,1	Serie 	6: 10,4* ↙ 7: 10,4* → 8: 10,5* → 9: 10,5* ↘ 10: 10,2* ↘ <hr/> Serie: 52,0 Summa: 103,1
-------------------------------------------------------------------------------------------	-----------------------------------------------------------------------------------------------------	---------------------------------------------------------------------------------------------	----------------------------------------------------------------------------------------------------------

Serie 	11: 10,2* ↗ 12: 10,2* ↑ 13: 9,7 ↖ 14: 10,0 ↙ 15: 10,4* ↘ <hr/> Serie: 50,5 Summa: 153,6	Serie 	16: 9,6 ← 17: 10,2* ← 18: 10,1 ↖ 19: 10,8* ↗ 20: 10,2* ↗ <hr/> Serie: 50,9 Summa: 204,5
--------------------------------------------------------------------------------------------	-----------------------------------------------------------------------------------------------------------	----------------------------------------------------------------------------------------------	-----------------------------------------------------------------------------------------------------------

Serie 	21: 10,0 ↓ 22: 9,9 → 23: 10,3* ↖ 24: 10,5* ← 25: 9,6 ↑ <hr/> Serie: 50,3 Summa: 254,8	Serie 	26: 10,4* ↙ 27: 10,0 ← 28: 10,6* ↗ 29: 9,8 ↑ 30: 10,6* ↓ <hr/> Serie: 51,4 Summa: 306,2
---------------------------------------------------------------------------------------------	---------------------------------------------------------------------------------------------------------	-----------------------------------------------------------------------------------------------	-----------------------------------------------------------------------------------------------------------

Serie 	31: 10,5* ↓ 32: 9,6 ↙ 33: 10,7* ← 34: 10,6* ↑ 35: 9,6 ↙ <hr/> Serie: 51,0 Summa: 357,2	Serie 	36: 10,4* ↘ 37: 9,9 ↗ 38: 10,3* ↑ 39: 10,6* ← 40: 10,4* ↗ <hr/> Serie: 51,6 Summa: 408,8
---------------------------------------------------------------------------------------------	----------------------------------------------------------------------------------------------------------	-----------------------------------------------------------------------------------------------	------------------------------------------------------------------------------------------------------------